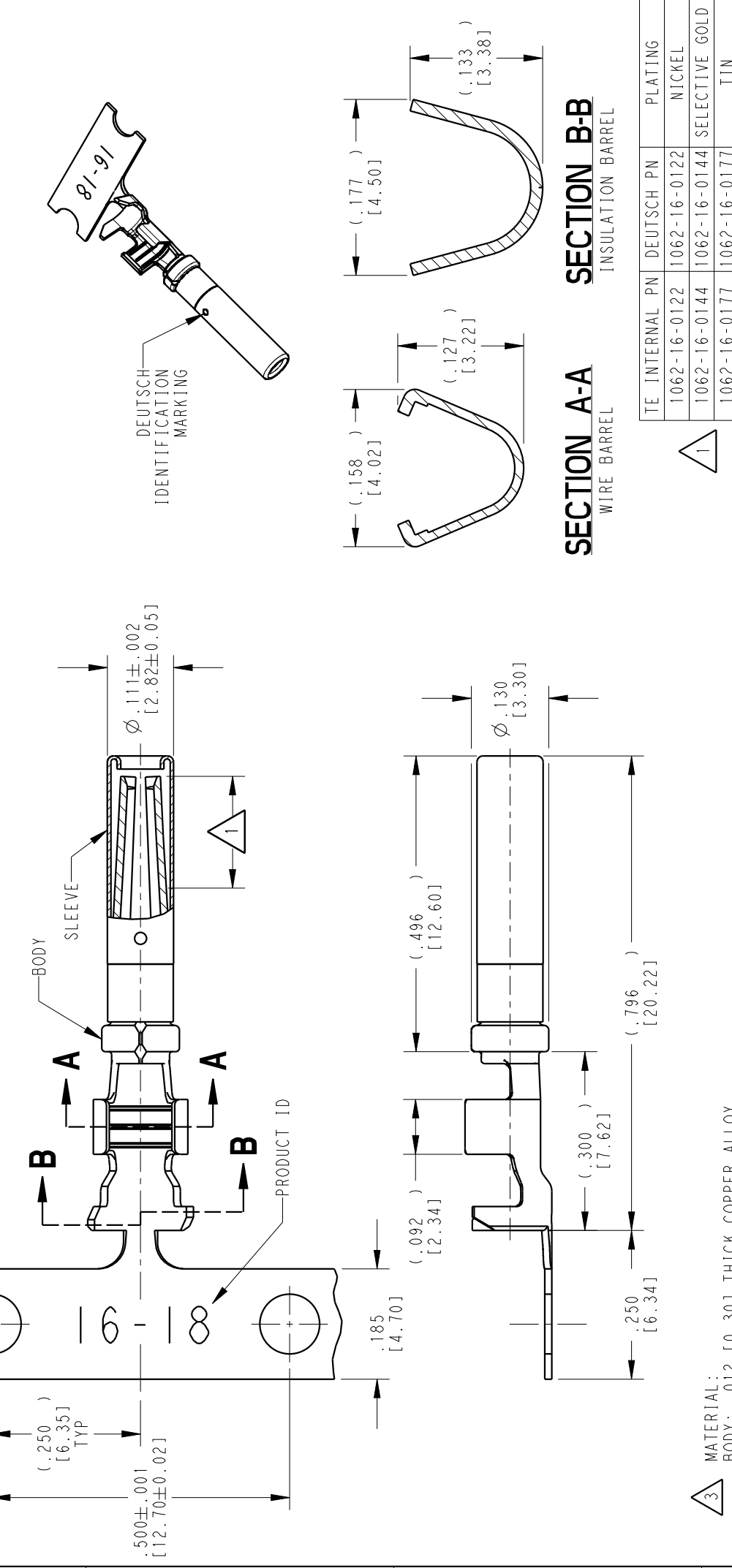


THIS DRAWING IS UNPUBLISHED		RELEASED FOR PUBLICATION		2015	
COPYRIGHT 1999 BY TE CONNECTIVITY		ALL RIGHTS RESERVED.			
REV ISIONS		LOC	DIST		
P	LTR	DESCRIPTION		DATE	DWN
	F	REVISED PER E.O. P16998		08DEC2000	SP
	G	REVISED PER E.O. P19555		11JUL2007	RDR
	H	REVISED PER E.O. P20396		25JUN2010	JA
	J	REVISED PER ECO-15-007761		28MAY2015	RL
					DM



THIS DRAWING IS A CONTROLLED DOCUMENT.		DWN	M. BLUM	03NOV1999
DIMENSIONS: INCHES [mm]		CHK	A. ROLINSKI	08DEC2000
TOLERANCES UNLESS OTHERWISE SPECIFIED:		APVD	R. REED	08DEC2000
0 PLC ±	PRODUCT SPEC			
1 PLC ±	APPLICATION SPEC			
2 PLC ±	114-151000			
3 PLC ±	0.43 g			
4 PLC ±	Customer Drawing			
FINISH		SEE TABLE		
MATERIAL		3		
MATERIAL:		STE		
BODY: .012 [0.30] THICK COPPER ALLOY		TE CONNECTIVITY		
SLEEVE: STAINLESS STEEL				
2. WIRE RANGE: 18 AWG TO 14 AWG [0.75-2.0 mm ²]				
INSULATION RANGE: Ø.075-.140 [Ø1.91-3.56]				
1. APPLIES ONLY TO SELECTIVE GOLD 1062-16-0144. INDICATED DIMENSION SHOWS GOLD PLATED AREA.				
NOTES: UNLESS OTHERWISE SPECIFIED				
TE INTERNAL PN		DEUTSCH PN	PLATING	
		1062-16-0122	1062-16-0122	NICKEL
		1062-16-0144	1062-16-0144	SELECTIVE GOLD
		1062-16-0177	1062-16-0177	TIN
NAME		SOCKET, STAMPED AND FORMED		
SIZE		SIZE 16		
CAGE CODE		DRAWING NO		
RESTRICTED TO		A34FU8		
SCALE		6:1		
SHEET		1 OF 1		
REV		J		