


ASU CD-RS232-485 RS232 - RS485 CONVERTER



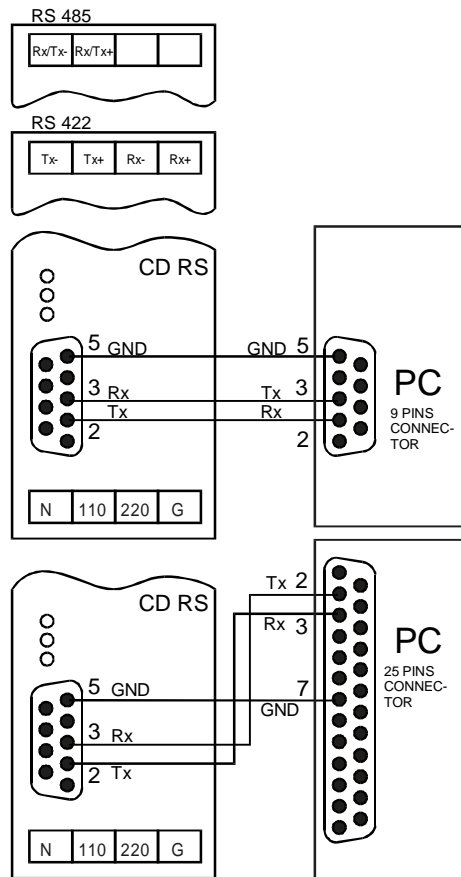
General Description

- Configurable communication RS485 or 232
- RS232 frontal connector
- 2500V insulation between input/output
- Smart and compact converter
- DIN Rail mounting
- Side by side packaging
- Competitive price
- EMC conformity and  mark

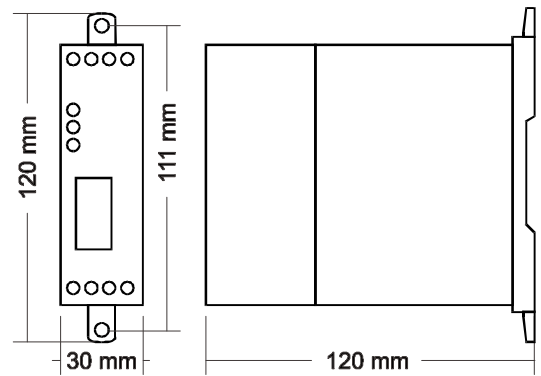
Technical specification

Power Supply	120-240Vac \pm 10%
Voltage Power/Frequency	50/60 Hz
Input / Output	standard RS232 / RS485 RS422
Consumption	5VA
Panel Assembling	DIN Rail mounting or bulk Head with fixing holes
LED	Input and output data transfer indication
RS232 Connection	Front unit connector
RS485/422 Connection	Screw terminals
Power Supply Connection	Screw terminals
Operating Temperature	0÷50 °C
Storage Temperature	-20÷70°C

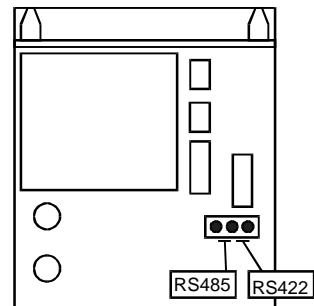
Connections



Dimensions

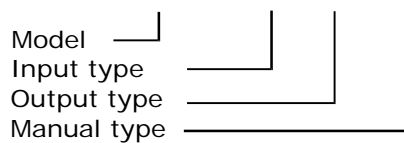


Selectable Comm. Type



Ordering Code

Order Code **ASU CD RS / - - - / - - - / M-**



MODEL
RS Converter

INPUT
Code Description
232 RS232

OUTPUT
Code Description
485 RS485
422 RS422

MANUAL TYPE
Code Description
2 English Manual



Mesa Industrie-Elektronik GmbH
Neckarstr. 19
D-45768 Marl
Deutschland
tel: +49 (0)2365 97451-0
fax: +49 (0)2365 97451-25

info@mesa-gmbh.de