



TU • TC • TS
 - TYPE GEAR REDUCER
 - GETRIEBEEINHEIT
 - REDUCTOR
 - TESTATA MOTRICE

S21 S23 S25 S27

11.00

1

WA. 00505 T. 39

X

090 = 1.1-1.5 kW
 100 = 2.2-3 kW
 112 = 4 kW
 132 = 5.5-7.5-9.2 kW

071 = 0.25 - 0.37 kW
 080 = 0.55 - 0.75 kW
 090 = 1.1 - 1.5 kW
 100 = 2.2 - 3 kW
 112 = 4 kW

Code S 2 3 2 0 0 9 0 E S 3

Code S 2 1 E S

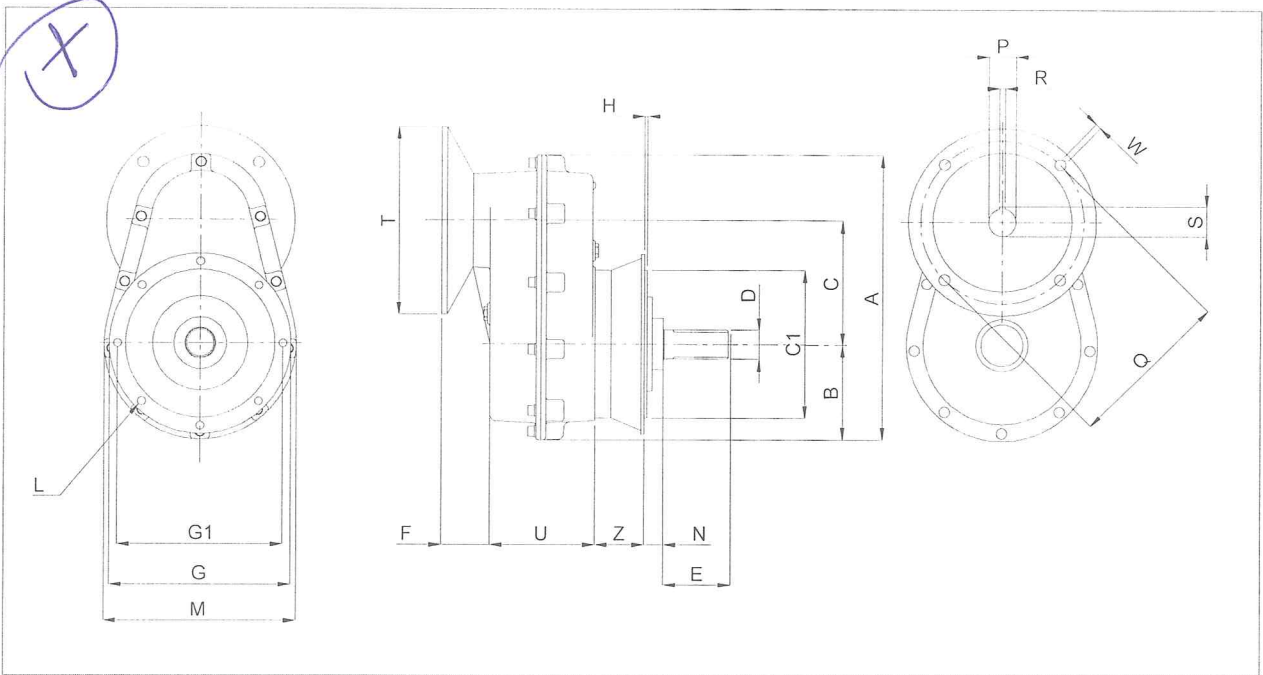
04-05-06-08-10-12-16-20-25-30-40
 ratio / Unters. / relación / rapporto

Screw / Schnecke
 Sinfin / Coclea
 1 = Ø 168
 2 = Ø 193
 3 = Ø 219
 4 = Ø 273
 5 = Ø 323

10-12-16-20-25-30-40
 ratio / Unters. / relación / rapporto

Screw / Schnecke
 Sinfin / Coclea
 0 = Ø114-139
 1 = Ø168
 2 = Ø193

X



090 = 1.1 - 1.5 kW
 100 = 2.2 - 3 kW
 112 = 4 kW
 132 = 5.5 - 7.5 - 9.2 kW
 160 = 11 - 15 kW
 180 = 18.5 - 22 kW

112 = 4 kW
 132 = 5.5 - 7.5 - 9.2 kW
 160 = 11 - 15 kW
 180 = 18.5 - 22 kW
 200 = 30 - 37 kW

Code S 2 5 E S

Code S 2 7 E S

04-05-06-08-10-12-16-20-25-30-40
 ratio / Unters. / relación / rapporto

Screw / Schnecke
 Sinfin / Coclea
 3 = Ø 219
 4 = Ø 273
 5 = Ø 323

04-05-06-08-10-12-16-20-25-30-40
 ratio / Unters. / relación / rapporto

Screw / Schnecke
 Sinfin / Coclea
 4 = Ø 273
 5 = Ø 323