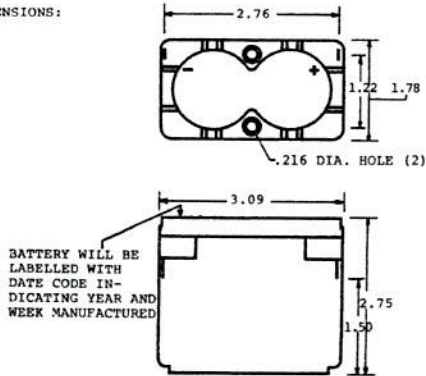




PHYSICAL SPECIFICATIONS

DIMENSIONS:



WEIGHT: .80 LB (.36 Kg)

CINCINNATI MILACRON

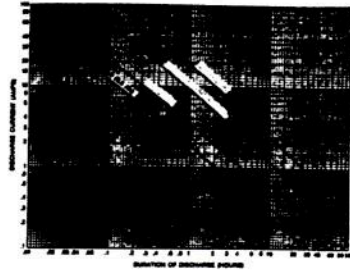
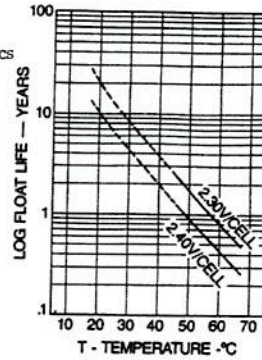
A

SHEET 5

DRAWING NUMBER

1-587-0722

OPERATIONAL CHARACTERISTICS



GRAPH DERIVED FROM STANDARD PRODUCTION SAMPLING; 90% OF ALL CELLS MEET OR EXCEED THESE DISCHARGE CAPACITIES. NEW CELLS MUST BE CYCLED OR FLOATED APPROPRIATELY BEFORE FULL RATED CAPACITY AS SHOWN ON THESE CURVES IS REACHED. THESE DISCHARGE TIMES REPRESENT THE CAPACITY AVAILABLE TO THE KNEE OF THE DISCHARGE CURVE.

CINCINNATI MILACRON

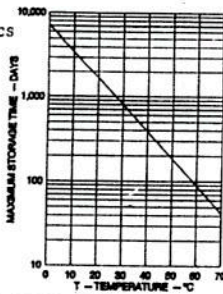
A

SHEET 7

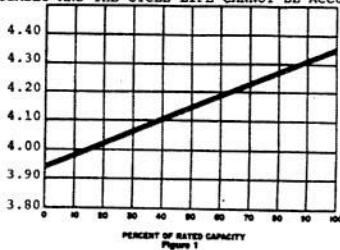
DRAWING NUMBER

1-587-0722

STORAGE CHARACTERISTICS



THE CELL SHOULD NOT BE ALLOWED TO SELF-DISCHARGE BELOW 1.81 VOLTS, BECAUSE THE RECHARGE CHARACTERISTICS OF THE CELL CHANGE APPRECIABLY AND THE CYCLE LIFE CANNOT BE ACCURATELY PREDICTED.



THIS CURVE IS ACCURATE TO WITHIN 20% OF THE CAPACITY OF THE CELL BEING MEASURED, IF IT HAS NOT BEEN CHARGED OR DISCHARGED WITHIN THE PAST 24 HOURS. THE CURVE IS ACCURATE TO WITHIN 5%, IF THE CELL HAS NOT BEEN CHARGED OR DISCHARGED WITHIN THE PAST 5 DAYS. THE CAPACITY, AS TAKEN FROM FIGURE 1, IS THE CAPACITY AVAILABLE AT THE C/10 RATE OF DISCHARGE.

CINCINNATI MILACRON

A

SHEET 6

DRAWING NUMBER

1-587-0722

SAFETY PRECAUTIONS

GASSING - THE BATTERY SHOULD NEVER BE OPERATED IN A GAS-TIGHT CONTAINER OR TOTALLY ENCASED IN A POTTING COMPOUND.

SHORTING

EXTERNAL SHORTING WILL PRODUCE HEAT WHICH CAN CAUSE SEVERE BURNS AND IS A POTENTIAL FIRE HAZARD. INADVERTENT PLACEMENT OF METAL ARTICLES SUCH AS METAL RINGS OR WATCH BANDS ACROSS BATTERY TERMINALS COULD RESULT IN SEVERE SKIN BURNS.

CARE SHOULD ALSO BE EXERCISED WHILE SHIPPING CELLS AND BATTERIES WHEN THE TERMINALS ARE NOT COVERED IN A PLASTIC CASE. THE CELLS SHOULD BE PACKED TIGHTLY, PREFERABLY WITH SEPARATIONS BETWEEN EACH CELL, SO THAT THEY CANNOT FALL OVER AND SHORT OUT AGAINST EACH OTHER. THESE BATTERIES ARE EXTREMELY HEAVY AND REQUIRE SUBSTANTIAL PACKAGING MATERIALS IN ORDER TO KEEP THE PACKAGE INTACT DURING SHIPMENT. IF THERE IS ANY DOUBT AS TO THE SAFETY OF THE PRODUCT DURING SHIPMENT, THE OPEN TABS SHOULD BE COVERED WITH AN INSULATING MATERIAL REUSE OF MANUFACTURER'S PACKAGING MATERIAL IS RECOMMENDED.

CINCINNATI MILACRON

A

SHEET 8

DRAWING NUMBER

1-587-0722