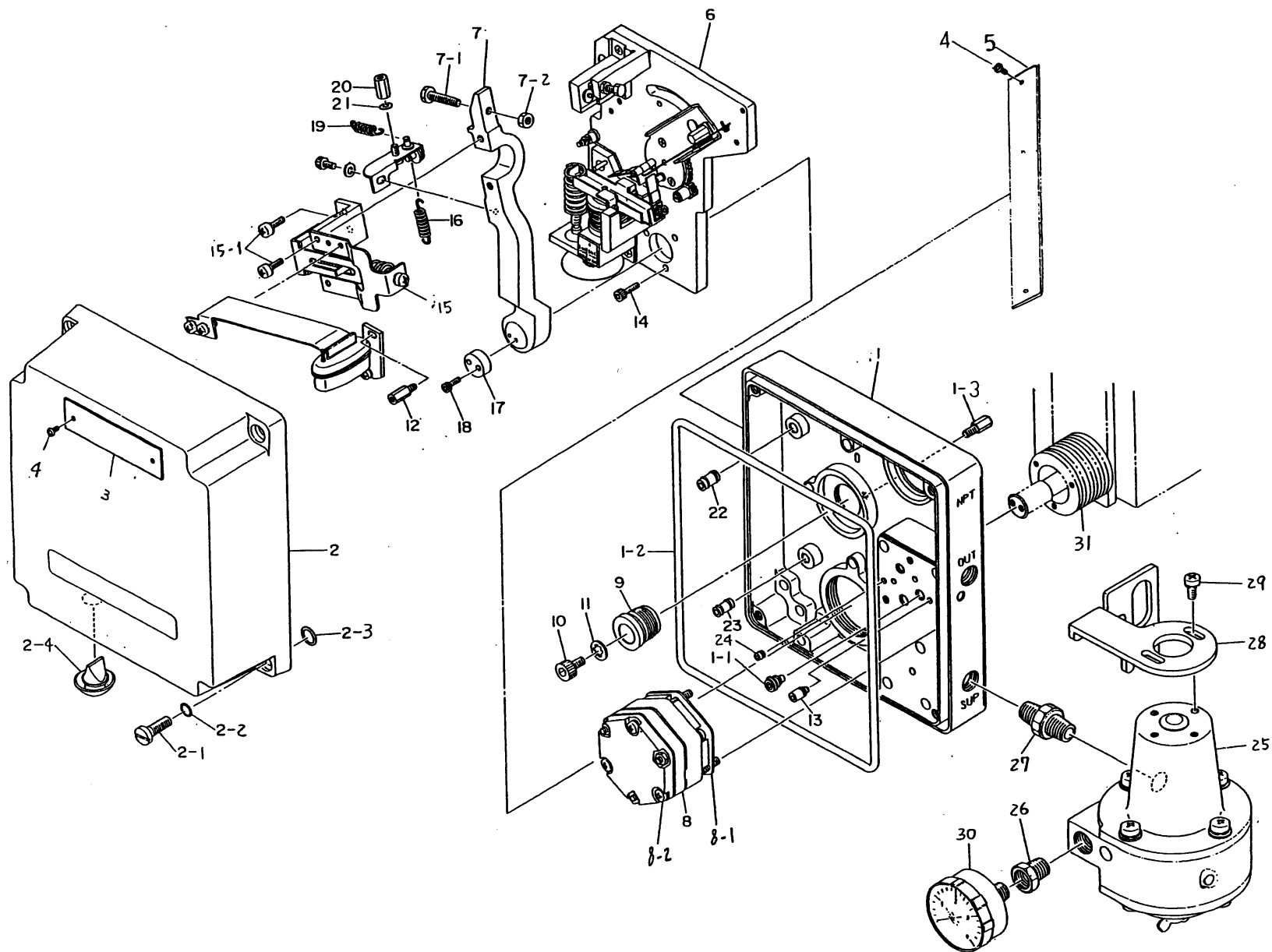


PREX3000 (KDP/KKP)  
Pneumatic Transmitter

KDP-01-11



## KDP/KKP Parts List

KDP-01-11  
2001/4/13

Key No.	Description	Quantity	Part No.
1	case base assy : connection Rc1/4	1	80355311-00100
1	case base assy : connection NPT1/4	1	80355311-00200
1-1	restriction sleeve assembly	1	80355317-00100
1-2	gasket	1	82734840-63500
1-3	stud	1	80355327-00100
2	cover assembly	1	80355330-00100
2-1	screw	4	HS311250-16000
2-2	"o" ring	4	80020935-0050C
2-3	retaining ring	4	80235519-0060C
2-4	cap	1	80355332-00100
3	Tag plate	1	80276826-0010C
3	Tag plate : SUS	1	82736999-00200
4	screw	4	HS311230-05000
5	name plate	1	80355306-00600
6	mechanical base assembly (see separate parts list No. KDP-07-11)	-	-
7	primary beam assembly	1	80355461-00100
7-1	flapper	1	80025619-00100
7-2	tension nut	1	80265885-00100
8	pilot valve assy	1	80353177-00200
8-1	gasket	1	80020247-00100
8-2	screw	3	HS398504-37200
9	bush	1	80025375-00200
10	screw	1	HS168320-10500
11	washer	1	HS237120-20000
12	stud	1	80340901-34500
13	restriction sleeve assembly	1	80355307-00100
14	screw (excepting model KDP44)	3	HS167308-1050F
14	screw (for model KDP44)	3	HS167308-12500
15	elevation unit	1	80355470-00200
15	high elevation unit	1	80355470-00300
15	suppression unit	1	80355470-00100
15-1	screw	4	HS398504-1020L
16	spring	1	80355462-00200
17	clamp	1	80271765-00100
18	screw	2	80086700-04700
19	spring	1	80355469-00100
20	nut	1	80355468-00100
21	washer	1	HS390503-02000
22	connector assembly	1	80068662-00300
23	connector assembly	1	80068662-00300
24	restriction sleeve assembly	1	80355328-00400
25	Pressure Regulator with Filter : Rc1/4 : Y-138A	1	80330420-00100
25	Pressure Regulator with Filter : NPT1/4 : Y-138A	1	80330420-00200
25	Pressure Regulator with Filter : Rc1/4 : Y-138B	1	80330420-0030C
25	Pressure Regulator with Filter : NPT1/4 : Y-138B	1	80330420-0040C
26	bushing: Rc1/8 R1/4	1	80021898-0010C
26	bushing: Rc1/8 R1/4 (SUS)	1	80021898-00300
26	bushing: Rc1/8 NPT1/4	1	80021898-0050C
26	bushing: Rc1/8 NPT1/4 (SUS)	1	80021898-00600
27	nipple:	1	80026633-00100
27	nipple: NPT1/4	1	80026633-00200
27	nipple: (SUS)	1	80026633-0030C
27	nipple: NPT1/4 (SUS)	1	80026633-00400
28	bracket	1	80330419-00100
29	screw	2	HS398204-0800C
30	pressure gage: 0-200KPA	1	82735282-0010F
30	pressure gage: 0-2BAR	1	82735282-0250F
30	pressure gage: 0-30psi	1	82735282-0410F
31	meter body assembly	-	Consult to sales