

**Application**



The general purpose level controller displays engineering units with one 4-20 mA or 0-10 VDC continuous level sensor input and is offered in three configurations with optional 2 or 4 programmable relays, and an isolated 4-20 mA repeater. Each relay can be configured on a single set point (high level alarm or low level alarm) or latched on two set points for automatic fill or empty in simplex (one pump or valve) or duplex (two pumps) level control modes.



**Features**

- ✓ LED main display and secondary unit display with relay status
- ✓ Easy configuration via the push button display module
- ✓ DIN enclosure with NEMA 4X faceplate and shallow case
- ✓ Isolated power supply to sensor with 4-20 mA repeater output
- ✓ Non-volatile memory with security password protection
- ✓ 32-point linearization function for volumetric measurement

**Key Benefits**

- ✓ Simple display makes configuration easy
- ✓ Capable of displaying units in gallons, liters, inches, feet, meters, and percent of liquid
- ✓ Add 2 or 4 relays for direct control of pumps, valves or alarms
- ✓ Add repeater output to repeat input original to another PLC/SCADA or display

**Compatible Products**

**EchoSonic® II**  
Ultrasonic Level Transmitter



**EchoPod®**  
Ultrasonic Level Transmitter



**EchoSpan®**  
Ultrasonic Level Transmitter



**EchoTouch®**  
Ultrasonic Level Transmitter



**FloaTek™**  
Float Level Transmitter



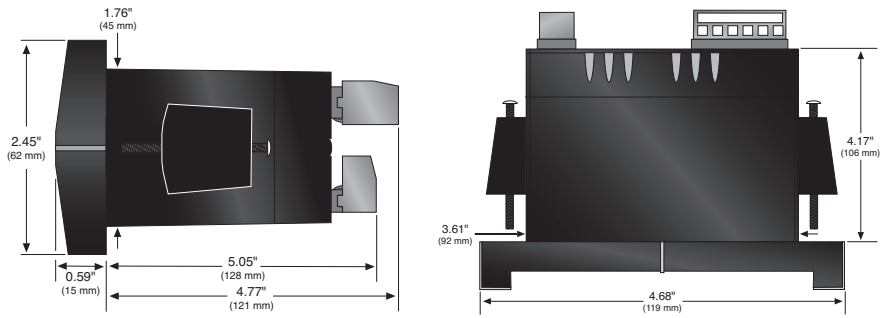
**DeltaSpan™**  
Pressure Level Transmitter



## Specifications

**Display type:** LED, 6-digit  
**Display units:** Engineering  
**Display output:** -99999 to 999999  
**Display height:** Main: 0.6" (15mm) high  
 Secondary: 0.46" (12mm) high  
**Decimal point:** Floating  
**LED indication:** Relay status  
**Configuration:** Push button  
**Memory:** Non-volatile  
**Linearization:** 2-32 point function  
**Sensor input:** (1) 4-20 mA or 0-10 VDC  
**Supply voltage:** 85-265 VAC @ 50-60 Hz  
**Consumption:** VAC: 20 watts max.  
 VDC: 15 watts max.  
**Sensor supply:** 24 VDC ± 5% @ 200 mA  
**Repeater output:** 4-20 mA, 24 VDC ± 5%  
 @ 40 mA supply  
**Contact type:** -12\_1: (2) SPDT relays  
 -14\_1: (4) SPDT relays  
**Contact rating:** 3A @ 30 VDC and 250 VAC  
 resistive load  
**Ambient temp.:** F: -40° to 149°  
 C: -40° to 65°  
**Enclosure type:** 1/8 DIN, panel mount  
**Enclosure rating:** NEMA 4X (IP65) faceplate  
**Enclosure mat'l:** Polycarbonate  
**Classification:** General purpose  
**Compliance:** CE  
**Approvals:** UL, cUL listed,  
 E160849, 508  
 industrial control equipment

## Dimensions



## Accessories

Protect your level indicator from the elements by using the below recommended single or two indicator NEMA box. Increase performance by adding the LI56 expansion card (Available with or without repeater)



**P/N**  
 LM91-1001  
**Description**  
 Single Indicator, Non-Windowed,  
 1/8 DIN, Polycarbonate



LM91-2001  
 Two Indicator, Non-Windowed,  
 1/8 DIN, Polycarbonate



LM92-1001  
 Single Indicator, Windowed,  
 1/8 DIN, Polycarbonate



LM93-1001  
 Two Indicator, Windowed,  
 1/8 DIN, Polycarbonate



LI56-1011 4-20 mA Repeater  
 LI56-1201 2 Relay (No Repeater)  
 LI56-1211 2 Relay with 4-20 mA Repeater  
 LI56-1401 4 Relay (No Repeater)  
 LI56-1411 4 Relay with 4-20 mA Repeater

## Ordering

LI55-□□□1

**Supply voltage**

- 1 85-265 VAC
- 8 12-24 VDC

**Configuration (1) (2)**

- 0 Meter only
- 2 Meter with 2 relays
- 4 Meter with 4 relays

**Repeater configuration**

- 0 No repeater
- 1 4-20 mA repeater

### Notes

- 1) For field mount installation in a NEMA 4X polycarbonate enclosure, order the single or two controller NEMA box.
- 2) Expansion cards may be purchased at an additional cost. Prices may be found on our website at [www.flowline.com/parts.php](http://www.flowline.com/parts.php).