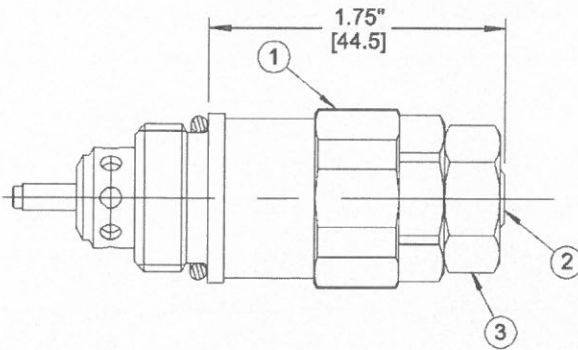


RELIEF VALVE ASSEMBLIES

MODEL 5060 PILOT OPERATED RELIEF VALVE WITH ANTI-VOID



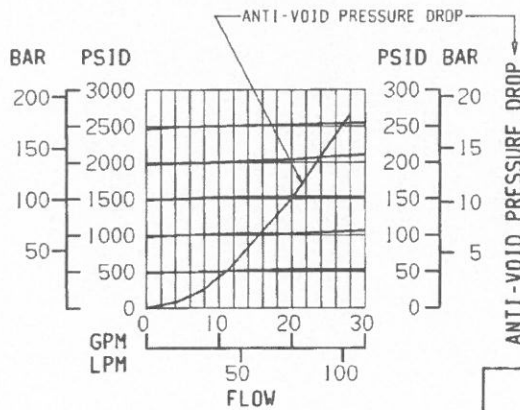
INSTALLATION AND ADJUSTMENT PROCEDURE

TORQUE MAIN BODY #1 INTO VALVE HOUSING USING 30 - 36 FT. LBS.

TO ADJUST PRESSURE SETTING, LOOSEN JAM NUT #3. TURN ADJUST SCREW #2 TO DESIRED SETTING. RE-TIGHTEN JAM NUT USING 6 - 8 FT. LBS.

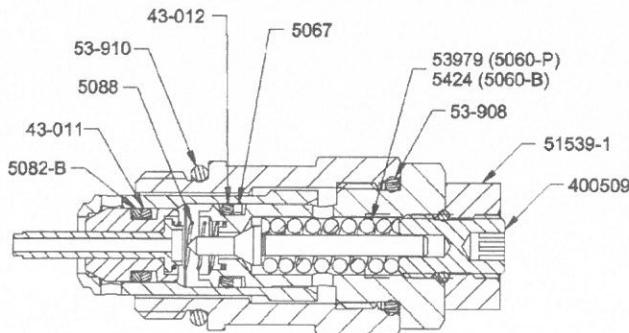
RELIEF VALVE ASSY. P/N	PRESSURE SETTING RANGE:	SPRING & SEAL KIT P/N:	SPRING P/N:	FACTORY SETTING AT 5 GPM	ADJUSTMENT VALUES PER 1/4 TURN
5060-B	100 - 1500 PSI	51790-1	5424	1000 PSI	200 PSI
5060-P	1500 - 3500 PSI	51790-3	53979	2000 PSI	550 PSI

5060-P RELIEF VALVE PERFORMANCE DATA



ABOUT THE 5060....

THE 5060 RELIEF VALVE IS THE WORKHORSE OF THE MODEL 5000 CONTROL VALVE LINE. THE 5060 IS USED AS A MAIN, CYLINDER PORT OR POWER BEYOND PRESSURE RELIEF VALVE. ITS HIGH FLOW PERFORMANCE CHARACTERISTICS AND ANTI-VOID CAPABILITIES MAKE IT THE UNIVERSAL CHOICE. THERE ARE OVER 2 MILLION 5060 RELIEFS IN OPERATION TODAY.



FOR KIT 51790-1 SPRING P/N 5424 REPLACES SPRING P/N 53979

SEAL & SPRING KIT 51790-3

PART NO.	DESCRIPTION	QTY.
400509	ADJUST SCREW ASSY.	1
43-011	O-RING	1
43-012	O-RING	1
5067	BACK-UP RING	1
5082-B	BACK-UP RING	1
5088	SPRING	1
51539-1	JAM NUT	1
53-908	O-RING	1
53-910	O-RING	1
53979	SPRING	1
A1003-2	INSTRUCTION SHEET	1



1605 John Street, Fort Lee, Office:201C New Jersey 07024 USA
 Tel +1 973 536 2331
 Fax +1 973 302 5583
 e-mail sales@onrion.com
 Web http://www.onrion.com

Request for quotation

Hydro Air LLC

Page 1/1

Walter OKleasky

Task No : 103368
Date : 11.04.2016
Fax : +1 973 302 5583
Tel : +1 973 536 2331
Authorized Personnel : Denis Lalev
Email : purchase4@onrion.com
Web : http://www.onrion.com

wokleasky@hydroair.net

Brand : Husco

Ref. No	Quantity	Unit Type
1) S060 P (1850 PSI) pressure limiter	1,00	Pcs.

→ N5060-P/1850/5 is \$54.80 list, 2-3 weeks.

→ Your cost = \$49³² NET EACH

wgt = Less than 1 lb

WALFV
4/11/16

Please state our task number in your quotation - Please send us your price list.