

PRODUCT INFORMATION PACKET



Model No:
Catalog No: D1036
MODEL-RFHP-48FR
Direct Drive



Regal and Century are trademarks of Regal Beloit Corporation or one of its affiliated companies.
©2019 Regal Beloit Corporation, All Rights Reserved. MC017097E





Nameplate Specifications

Output HP	1/3 HP	Output KW	0.25 kW
Frequency	60 Hz	Voltage	208-230 V
Current	2.7 A	Speed	1075 RPM
Service Factor	1	Phase	1
Duty	Air Over	Insulation Class	B
Frame	48	Enclosure	Open Enclosed
Overload Protector	Automatic	Ambient Temperature	40 °C
UL	Recognized	CSA	Y
CE	N		

Technical Specifications

Electrical Type	Permanent Split Capacitor	Starting Method	Induction Run
Poles	6	Rotation	Reversible
Mounting	Resilient Rings	Motor Orientation	Horizontal
Drive End Bearing	Sleeve	Opp Drive End Bearing	Sleeve
Frame Material	Rolled Steel	Shaft Type	Flat
Overall Length	9.36 in	Frame Length	3.75 in
Shaft Diameter	0.500 in	Shaft Extension	4.5 in
Outline Drawing	D1036-S01	Connection Diagram	614131-151

This is an uncontrolled document once printed or downloaded and is subject to change without notice. Date Created: 06/28/2019

GENERAL INFORMATION:

SHAFT RUNOUT: .001[.03] T.I.R. PER INCH LENGTH OF EXTENSION

END PLAY: .010 TO .063[.25 TO 1.60]

BEARINGS: SLEEVE

MOUNTING POSITION: HORIZONTAL

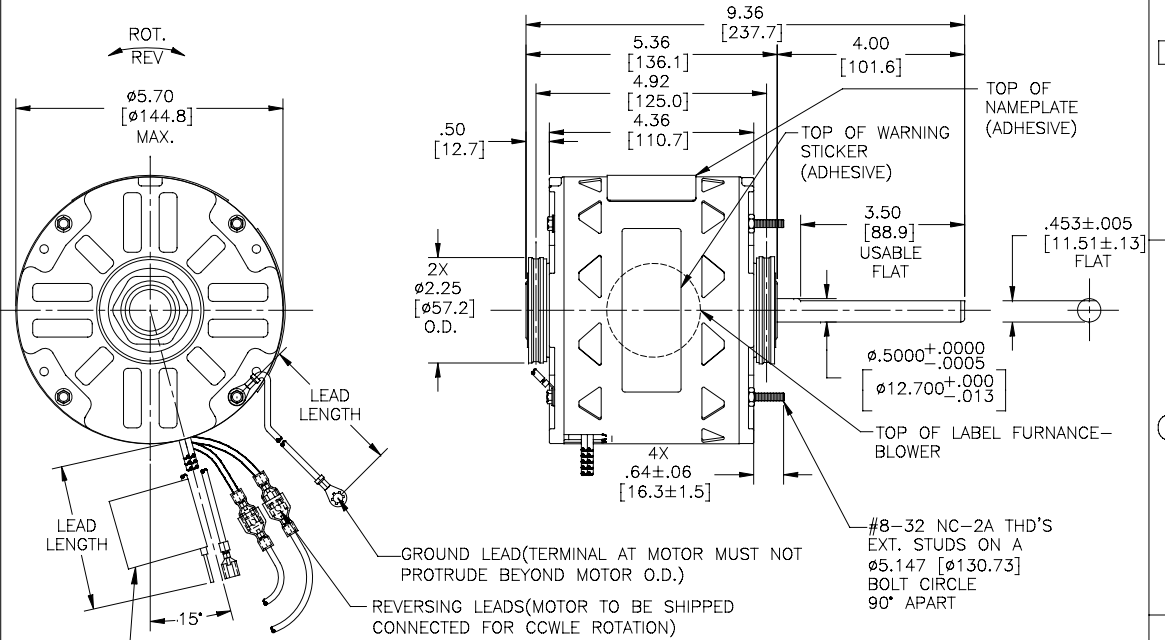
ELECTRICAL DATA:

OVERLOAD PROTECTOR: AUTOMATIC RESET (SENSATA 7AM 036)

LINE LEADS: NO. 18 GA., .03[.8] THK.,125°C INSUL.

REVERSING LEADS: NO. 18 GA., .03[.8] THK.,CROSS-LINKED POLYETHELENE 125°C INSUL.

GROUND LEADS: NO. 18 GA., .03[.8] THK.,(GREEN)INSUL.



SEE NOTES 2

NAMEPLATE DATA:	EXTERNAL CONNECTION DIAGRAM
MODEL: F48H03A01 CUST. P/N: D1036 HP: 1/3 ROT: REVERSIBLE RPM: 1075/3 SPD TYPE: UF FRAME: 48 VOLTS: 208-230 PH: 1 AMPS: 2.7 HZ: 60 INS: B AMB: 40 °C DUTY: AIR OVER CODE: - CAP.: 5 MFD/370V ENCL: OPEN UL LOGO CSA LOGO THERMALLY PROTECTED	
D0000607-001	

PERFORMANCE CURVE NO.	TORQUE @ 1075 RPM (25°C)	APPROVED SAMPLE	UL COMPONENT	CSA		
FILE #	CCN #	FILE #	CLASS #			
C0000745	39.5 OZ.FT.	X-0003284B	E46412	PRGY2	LR43341	4211-01

LEAD DATA		
COLOR	LENGTH	TERMINAL OR STRIP LENGTH
RED	25.0/27.0 [635/686]	.60[15.2] SKIN
BLUE	25.0/27.0 [635/686]	.60[15.2] SKIN
BLACK	25.0/27.0 [635/686]	.60[15.2] SKIN
WHITE	25.0/27.0 [635/686]	.60[15.2] SKIN
BROWN/WHITE	25.0/27.0 [635/686]	.25[6.4] FEMALE SPADE
BROWN	25.0/27.0 [635/686]	.25[6.4] FEMALE SPADE
BROWN (REV)	4.0/6.0 [102/152]	.25[6.4] PER-INSUL. FEMALE SPADE
ORANGE(REV)	4.0/6.0 [102/152]	.25[6.4] PER-INSUL. MALE TAB
PURPLE(REV)	4.0/6.0 [102/152]	.25[6.4] PER-INSUL. FEMALE SPADE
WHITE (REV)	4.0/6.0 [102/152]	.25[6.4] PER-INSUL. MALE TAB
GREEN (GRD)	9.0/11.0 [229/279]	10# EYELET

NOTES:

- SPLIT RING ADAPTOR 615035 (4 REQ'D) TO BE PACKED WITH EACH MOTOR.
- ATTACH WARNING/CONNECTION LABEL TO COMMON (WHITE) LEAD APPROX. 2.0[51] FROM MOTOR (ADHESIVE).

REGAL-BELOIT CORPORATION (RBC) PROVIDES TECHNICAL ASSISTANCE TO OUR CUSTOMERS IN SEVERAL AREAS. SINCE RBC DOES NOT RECEIVE ALL DATA CONCERNING THE USE AND APPLICATION OF THE MOTOR, THE SUITABILITY OF THE MOTOR FOR THE APPLICATION MUST BE DETERMINED BY THE CUSTOMER.

DIMENSIONS WITHOUT TOLERANCES ARE FOR REFERENCE ONLY.

ENCLOSURE	
END FRAME - LE	OPEN
MAIN FRAME - LE	OPEN
END FRAME - OLE	OPEN
MAIN FRAME - OLE	OPEN

CUSTOMER	DISTRIBUTION SERVICES
----------	-----------------------

DRAWING REVISION BY: J.ZHU	DATE: 09-13-2015
ECO: ECO-0084773	APPROVED BY: C.ZHANG
DATE: 09-13-2015	
SEE ECO	
COPYRIGHT REGAL-BELOIT AMERICA, INC. ALL RIGHTS RESERVED. PROPRIETARY AND CONFIDENTIAL INFORMATION - THIS DOCUMENT IS THE PROPERTY OF REGAL-BELOIT AMERICA, INC. (OWNER) AND CONTAINS OWNER'S PROPRIETARY INFORMATION. ANY REPRODUCTION, COPIATION OR OTHER USE WITHOUT THE WRITTEN PERMISSION OF REGAL-BELOIT AMERICA, INC. IS STRICTLY PROHIBITED. BY RECEIVING IT, YOU AGREE THAT IT, AND/OR ANY PART OF IT, SHALL NOT BE DISCLOSED TO ANY PERSON, CORPORATION OR OTHER ENTITY, SUPPLIER, AND/OR USER, WITHOUT THE WRITTEN PERMISSION OF REGAL-BELOIT AMERICA, INC. THIS DOCUMENT SHALL BE RETURNED TO OWNER UPON REQUEST. IT MAY BE SUBJECT TO CERTAIN RESTRICTIONS UNDER APPLICABLE EXPORT CONTROL LAWS AND REGULATIONS.	

DRAWN BY: W. HEATH	DATE: 07-23-1996	DESCRIPTION: MODEL-RFHP-48FR OUTLINE
APPROVED BY: TPR	DATE: 07-26-1996	MATERIAL: -
PROCESS/FINISH: -	THIRD ANGLE PROJECTION:	SIZE: C
DWG NO: D1036	SHEET: 1	