

Type 2 AC Surge Protector DS40 series

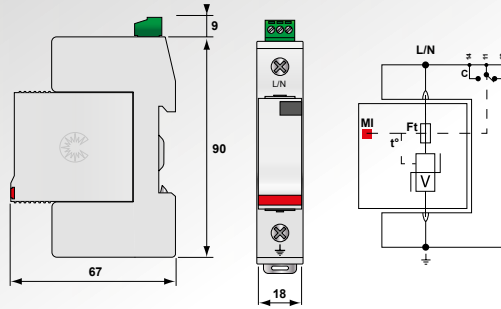


CITEL

**Imax
40 kA**



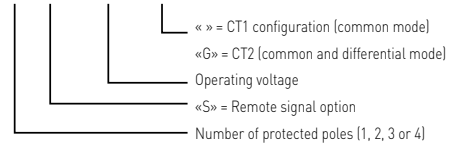
DS41-230



V: High-energy varistor
Ft: Thermal fuse
C: Remote signaling contact
t°: Thermal disconnection system
Mi : Disconnection indicator

- Type 2 AC Surge Protector
- In : 20 kA
- Imax : 40 kA
- Pluggable module for each phase
- Remote signaling option
- IEC 61643-11 and EN 61643-11 compliance
- UL1449 ed.4
- Numerous operating voltages

DS4x S-xxx/G



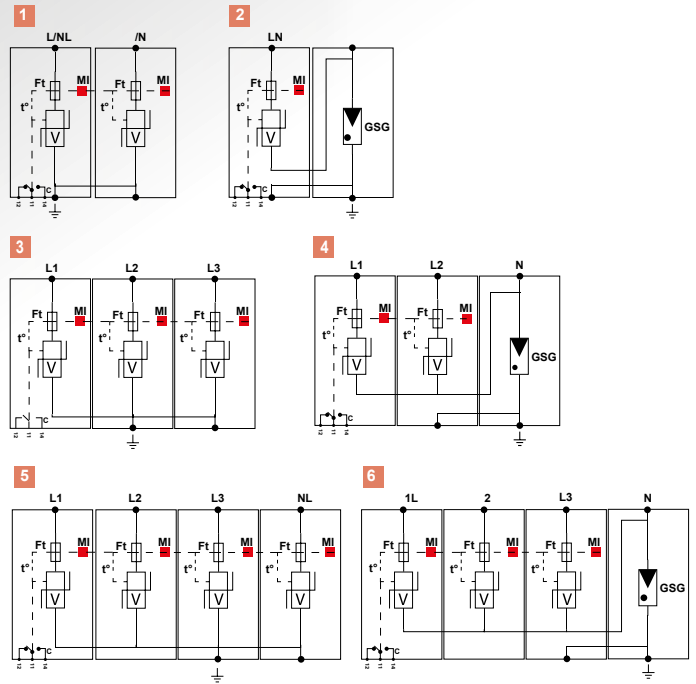
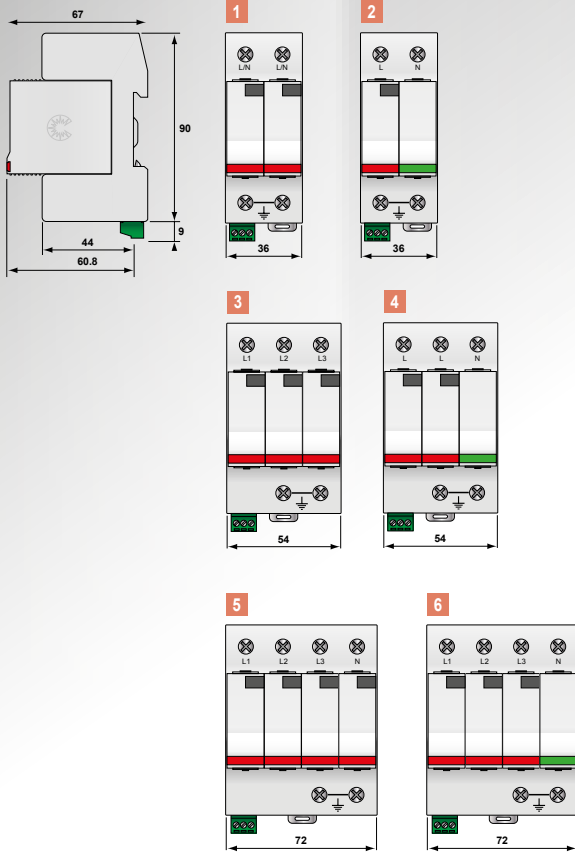
Characteristics

| CITEL Model | DS41-690 | DS41-600 | DS41-480 | DS41-400 | DS41-385 | DS41-320 | DS41-280 | DS41-230 | DS41-120 | |
|-----------------------------------------------------------|-----------------------------------------------------|-------------------------------------------------|-------------------------------------------------|-------------------------------------------------|-------------------------------------------------|-------------------------------------------------|-------------------------------------------------|-------------------------------------------------|-------------------------------------------------|--|
| Description | Type 2 AC surge protector - one-phase - pluggable | | | | | | | | | |
| Max. AC operating voltage | Uc 760 Vac | 660 Vac | 530 Vac | 440 Vac | 385 Vac | 320 Vac | 280 Vac | 255 Vac | 150 Vac | |
| Temporary Over Voltage (TOV) Characteristics - 5 sec. | UT 1000 Vac | 870 Vac | 700 Vac | 580 Vac | 335 Vac | 335 Vac | 335 Vac | 335 Vac | 180 Vac | |
| Temporary Over Voltage (TOV) Characteristics - 120 mn | UT 1325 Vac | 1150 Vac | 920 Vac | 770 Vac | 440 Vac | 440 Vac | 440 Vac | 440 Vac | 230 Vac | |
| Residual current - Leakage current at Uc | Ipe < 1 mA | < 1 mA | < 1 mA | < 1 mA | < 1 mA | < 1 mA | < 1 mA | < 1 mA | < 1 mA | |
| Follow current | If None | None | None | None | None | None | None | None | None | |
| Nominal discharge current - 15 x 8/20 µs impulses | In 20 kA | 20 kA | 20 kA | 20 kA | 20 kA | 20 kA | 20 kA | 20 kA | 20 kA | |
| Max. discharge current - max. withstand @ 8/20 µs by pole | Imax 40 kA | 40 kA | 40 kA | 40 kA | 40 kA | 40 kA | 40 kA | 40 kA | 40 kA | |
| Protection level | Up 3.5 kV | 3.2 kV | 2.5 kV | 1.8 kV | 1.8kV | 1.5 kV | 1.3 kV | 1.25 kV | 0.9 kV | |
| Admissible short-circuit current | Iscrr 25000 A | 25000 A | 25000 A | 25000 A | 25000 A | 25000 A | 25000 A | 25000 A | 25000 A | |
| Associated disconnectors | | | | | | | | | | |
| Thermal disconnector | internal | | | | | | | | | |
| Fuses | Fuses Type gG - 50 A* | | | | | | | | | |
| Installation ground fault breaker | Type "S" or delayed | | | | | | | | | |
| Mechanical characteristics | | | | | | | | | | |
| Dimensions | see diagram | | | | | | | | | |
| Connection to Network | By screw terminals: 2.5-25 mm ² / by bus | | | | | | | | | |
| Disconnection indicator | 1 mechanical indicator | | | | | | | | | |
| Remote signaling of disconnection | option DS41S-690 : output on changeover contact | option DS41S-600 : output on changeover contact | option DS41S-480 : output on changeover contact | option DS41S-400 : output on changeover contact | option DS41S-385 : output on changeover contact | option DS41S-320 : output on changeover contact | option DS41S-280 : output on changeover contact | option DS41S-230 : output on changeover contact | option DS41S-120 : output on changeover contact | |
| Spare unit | DSM40-690 | DSM40-600 | DSM40-480 | DSM40-400 | DSM40-385 | DSM40-320 | DSM40-280 | DSM40-230 | DSM40-120 | |
| Mounting | Symmetrical rail 35 mm (EN60715) | | | | | | | | | |
| Operating temperature | -40/+85°C | | | | | | | | | |
| Protection rating | IP20 | | | | | | | | | |
| Housing material | Thermoplastic UL94-V0 | | | | | | | | | |
| Standards compliance | IEC 61643-11 / EN 61643-11 / UL1449 ed.4 | | | | | | | | | |
| Certification | UL / CSA / EAC / TUV | UL / CSA / EAC | UL / CSA / EAC | UL / CSA / EAC / TUV | EAC | UL/CSA/EAC | UL / CSA / EAC | UL / CSA / EAC / TUV | UL / CSA / EAC | |
| Part number | 331801 | 331501 | 331001 | 3314011 | 331201 | 331901 | 3311011 | 3317011 | 3316011 | |



* Note: Rating in compliance with NF C15-100 art.534.1.5.3. In order to increase service continuity, higher rating can be used. For further information, please consult product instructions..

Type 2 Multipolar Surge Protector DS42, DS43, DS44



V: High-energy varistor
 GSG: Specific gas tube
 Ft: Thermal fuse
 C: Remote signaling contact
 t^s: Thermal disconnection system
 Mi: Disconnection indicator



DS44-230/G

| Model | P/N | Network | AC system | Protection Mode | I _{total} | Up L/PE | Up L/N | Up N/PE | Diagram | |
|------------|--------|---------------------|-----------|-----------------|--------------------|---------|---------|---------|---------|---|
| DS44-385/G | 421212 | 230/400 V 3-phase+N | TT-TNS | L/N and N/PE | 40 kA | - | 1.8 kV | 1.5 kV | 6 | |
| DS44-320/G | 461912 | 230/400 V 3-phase+N | TT-TNS | L/N and N/PE | 40 kA | - | 1.5 kV | 1.5 kV | | |
| DS44-280/G | 461112 | 230/400 V 3-phase+N | TT-TNS | L/N and N/PE | 40 kA | - | 1.3 kV | 1.5 kV | | |
| DS44-230/G | 461512 | 230/400 V 3-phase+N | TT-TNS | L/N and N/PE | 40 kA | - | 1.25 kV | 1.5 kV | | |
| DS44-120/G | 461612 | 230/400 V 3-phase+N | TT-TNS | L/N and N/PE | 40 kA | - | 0.9 kV | 1.5 kV | | |
| DS44-400 | 461402 | 230/400 V 3-phase+N | IT | L/PE and N/PE | 160 kA | 1.8 kV | - | 1.8 kV | | 5 |
| DS44-385 | 421202 | 230/400 V 3-phase+N | TNS | L/PE and N/PE | 160 kA | 1.8 kV | - | 1.8 kV | | |
| DS44-320 | 461902 | 230/400 V 3-phase+N | TNS | L/PE and N/PE | 160 kA | 1.5 kV | - | 1.5 kV | | |
| DS44-280 | 461102 | 230/400 V 3-phase+N | TNS | L/PE and N/PE | 160 kA | 1.3 kV | - | 1.3 kV | | |
| DS44-230 | 461502 | 230/400 V 3-phase+N | TNS | L/PE and N/PE | 160 kA | 1.25 kV | - | 1.25 kV | | |
| DS44-120 | 461602 | 120/208 V 3-phase+N | TNS | L/PE and N/PE | 160 kA | 0.9 kV | - | 0.9 kV | 4 | |
| DS43-120/G | - | 120/208 V 2-phase+N | TNS | L/N and N/PE | 40 kA | - | 0.9 kV | 1.5 kV | | |
| DS43-400 | 461403 | 230/400 V 3-phase | IT | L/PE | 120 kA | 1.8 kV | - | - | | |
| DS43-385 | 421203 | 230/400 V 3-phase | TNC | L/PE | 120 kA | 1.8 kV | - | - | | |
| DS43-320 | 461903 | 230/400 V 3-phase | TNC | L/PE | 120 kA | 1.5 kV | - | - | | |
| DS43-280 | 461103 | 230/400 V 3-phase | TNC | L/PE | 120 kA | 1.3 kV | - | - | | 3 |
| DS43-230 | 461503 | 230/400 V 3-phase | TNC | L/PE | 120 kA | 1.25 kV | - | - | | |
| DS43-120 | 461603 | 120/208 V 3-phase | TNC | L/PE | 120 kA | 0.9 kV | - | - | | |
| DS42-385/G | 421211 | 230 V single phase | TT-TN | L/N and N/PE | 40 kA | - | 1.8 kV | 1.5 kV | 2 | |
| DS42-320/G | 461911 | 230 V single phase | TT-TN | L/N and N/PE | 40 kA | - | 1.5 kV | 1.5 kV | | |
| DS42-280/G | 461111 | 230 V single phase | TT-TN | L/N and N/PE | 40 kA | - | 1.3 kV | 1.5 kV | | |
| DS42-230/G | 461511 | 230 V single phase | TT-TN | L/N and N/PE | 40 kA | - | 1.25 kV | 1.5 kV | | |
| DS42-120/G | 461611 | 120 V single phase | TT-TN | L/N and N/PE | 40 kA | - | 0.9 kV | 1.5 kV | | |
| DS42-400 | 461401 | 230 V single phase | IT | L/PE and N/PE | 80 kA | 1.8 kV | - | 1.8 kV | | 1 |
| DS42-385 | - | 230 V single phase | TN | L/PE and N/PE | 80 kA | 1.8 kV | - | 1.8 kV | | |
| DS42-320 | 461901 | 230 V single phase | TN | L/PE and N/PE | 80 kA | 1.5 kV | - | 1.5 kV | | |
| DS42-280 | 461102 | 230 V single phase | TN | L/PE and N/PE | 80 kA | 1.3 kV | - | 1.3 kV | | |
| DS42-230 | 461501 | 230 V single phase | TN | L/PE and N/PE | 80 kA | 1.25 kV | - | 1.25 kV | | |
| DS42-120 | 461601 | 120 V single phase | TN | L/PE and N/PE | 80 kA | 0.9 kV | - | 0.9 kV | | |