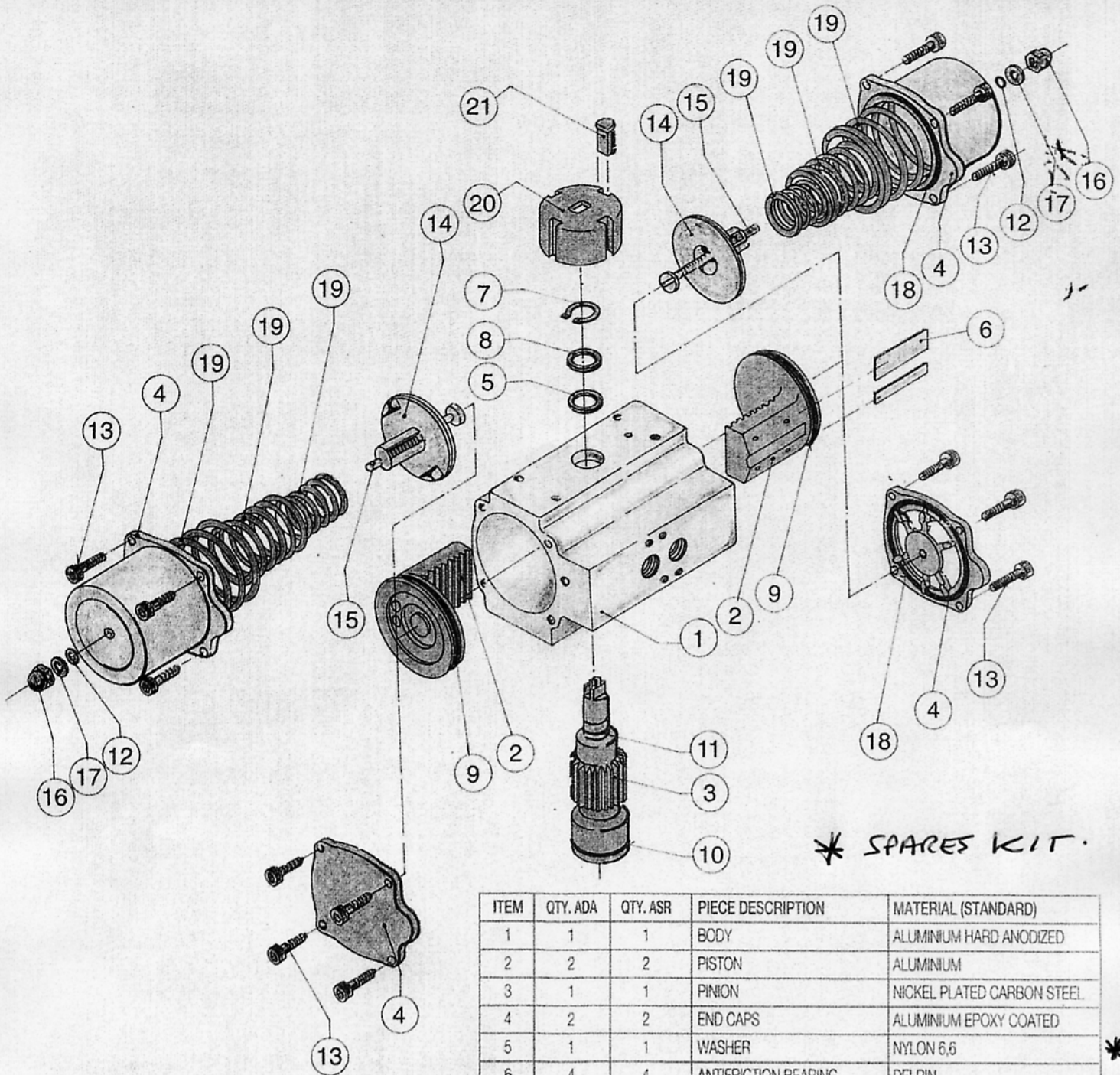
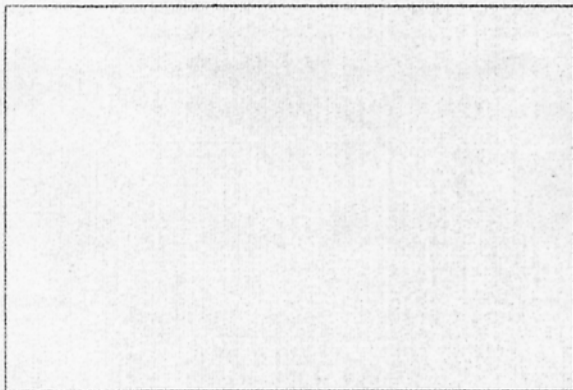


PNEUMATIC ACTUATORS



* SPARES KIT.

DISTRIBUTED BY:



| ITEM | QTY. ADA | QTY. ASR | PIECE DESCRIPTION | MATERIAL (STANDARD) |
|------|----------|----------|------------------------|----------------------------|
| 1 | 1 | 1 | BODY | ALUMINIUM HARD ANODIZED |
| 2 | 2 | 2 | PISTON | ALUMINIUM |
| 3 | 1 | 1 | PINION | NICKEL PLATED CARBON STEEL |
| 4 | 2 | 2 | END CAPS | ALUMINIUM EPOXY COATED |
| 5 | 1 | 1 | WASHER | NYLON 6,6 |
| 6 | 4 | 4 | ANTIFRICTION BEARING | DELFIN |
| 7 | 1 | 1 | SLIP WASHER | STAINLESS |
| 8 | 1 | 1 | WASHER | STAINLESS STEEL |
| 9 | 2 | 2 | O-RING | NBR |
| 10 | 1 | 1 | O-RING | NBR |
| 11 | 1 | 1 | O-RING | NBR |
| 12 | - | 2 | O-RING | NBR |
| 13 | 8 | 8 | BOLT | STAINLESS STEEL |
| 14 | - | 2 | SPRING SUPPORT | CARBON STEEL ZINC PLATED |
| 15 | - | 2 | SPRING TIGHTENING BOLT | CARBON STEEL ZINC PLATED |
| 16 | - | 2 | BLIND NUT | STAINLESS STEEL |
| 17 | - | 2 | WASHER | STAINLESS STEEL |
| 18 | 2 | 2 | O-RING | NBR |
| 19 | - | 2-6 | SPRING | EPOXY COATED CARBON STEEL |
| 20 | 1 | 1 | POSITION INDICATOR | POLYAMIDE |
| 21 | 2 | 2 | CAM | POLYAMIDE |

