

# TEC-44

## Powerful motorised ball valve condensate drain

### PRODUCT FEATURES

The TEC-44 is a microprocessor operated ball valve designed to remove heavily contaminated condensate from compressed air systems up to 40 bar.

Due to its stainless steel ball, powerful rotation capacity and large orifice, the TEC-44 is impossible to block and is applied where all other drains fail.

The clever time cycle options allow the TEC-44 to suit virtually every compressed air system. The LED / LCD display allows for easy monitoring of the operation status.

As standard, the TEC-44 includes a battery back-up option, ensuring continuous operation in case of power failure.

The TEC-44 is easy to install and offers a remote control option.

### COMMERCIAL BENEFITS

- Impossible to block.
- Removes heavily contaminated condensate.
- Virtually maintenance free.
- Power Failure Protection Safeguard (battery backup).
- Suitable for any type of compressed air system up to 40 bar.
- Remote control option available.
- Compact design.

### TECHNICAL ADVANTAGES

- Anti Blockage System.
- Easy installation and maintenance.
- LED/LCD display allows for easy monitoring of operation status.
- Stainless steel ball.
- Reliable 1/2" orifice.
- TEST (micro-switch) feature.



**Impossible to block!**

### Opportunity:

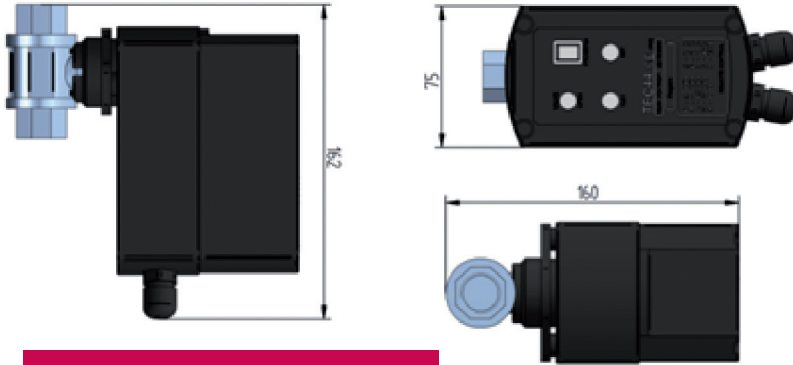
Small rust particles can cause serious damage to membrane operated valves. The TEC-44 is a reliable solution for even the most commonly known contaminated compressed air systems.

The powerful ball valve rotation of the TEC-44 crushes all particles that would normally block a condensate drain.

# TEC-44

Powerful motorised ball valve condensate drain

## DIMENSIONS (mm)



## SPECIFICATIONS

Maximum compressor capacity	Unlimited
Interval time	4 minutes - 24 hours (programmable)
Discharge time	7.5 seconds - 15 minutes (programmable)
Supply voltage options	12VDC, 24VDC, 115VAC or 230VAC 50/60 Hz.
Pressure range	0 - 40 bar
Min. / Max. operating temperature	0° C / +60° C
Housing material	ABS plastic FR grade
Environmental protection	IP65 (NEMA 4)
Indicators	LED to indicate valve OPEN, LCD indicating program cycle
TEST button	Yes
Valve type	Motorised ball valve
Valve material	Nickel plated brass body / stainless steel ball Stainless steel version available, please consult factory.
Valve seals	FPM and Teflon
In/out ports	1/2" BSP or NPT
Valve orifice	1/2"
Anti blockage system	Yes
Back-up	Battery back-up pack protecting against power failure



Easy in-line installation



LED / LCD display



Compact design



Nickel plated brass body / Stainless steel ball



Remote control option

JORC IS ISO 9001:2008 CERTIFIED



Information provided herewith is believed to be accurate and reliable. However, no responsibility is assumed for its use or for any infringement of patents or rights of others, which may result from its use. In addition, JORC reserves the right to revise information without notice and without incurring any obligation.