

## Directional valves ▶ Electrically operated

### 4/2-directional valve, Series 840

▶ Qn = 200 l/min ▶ Pilot valve width: 22.5 mm ▶ pipe connection ▶ compressed air connection output: Ø6x1  
 ▶ Electr. connection: Plug, EN 175301-803, form C ▶ Manual override: with detent ▶ double solenoid ▶ Pilot: internal



00138520

Version	Diaphragm poppet valve
Sealing principle	Soft sealing
Mounting on manifold strip	PRS strip
Working pressure min./max.	1.8 bar / 10 bar *
Control pressure min./max.	1.8 bar / 10 bar
Ambient temperature min./max.	-15 °C / +50 °C *
Medium temperature min./max.	-15 °C / +50 °C *
Medium	Compressed air
Max. particle size	50 µm
Oil content of compressed air	0 mg/m³ - 1 mg/m³
Nominal flow Qn	200 l/min
Connector standard	EN 175301-803, form C
Protection class with connection	IP65
	Protected against polarity reversal
Duty cycle	100 %
Typ. switch-on time	12 ms
Typ. switch-off time	12 ms
Weight	See table below
Materials:	
Housing	Polyoxymethylene
Seals	Acrylonitrile Butadiene Rubber

\* The maximum operating pressure depends on the ambient temperature. The following values are applicable:  
 -15 °C - 50 °C: Operating pressure 1.8 bar - 8 bar possible.  
 -15 °C - 40 °C: Operating pressure 1.8 bar - 10 bar possible.

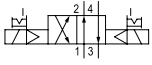

#### Technical Remarks

- The min. control pressure must be adhered to, since otherwise faulty switching and valve failure may result!
- The pressure dew point must be at least 15 °C under ambient and medium temperature and may not exceed 3 °C.
- The oil content of compressed air must remain constant during the life cycle.
- Use only the approved oils from AVENTICS, see chapter „Technical information“.
- Versions with voltage of less than 50 V DC do not have a protective ground.

Operational voltage			Voltage tolerance		Power consumption	Switch-on power		Holding power	
DC	AC 50 Hz	AC 60 Hz	DC	AC 60 Hz	DC	AC 50 Hz	AC 60 Hz	AC 50 Hz	AC 60 Hz
					W	VA	VA	VA	VA
12 V	-	-	-10% / +10%	-	1.6	-	-	-	-
24 V	-	-	-10% / +10%	-	1.6	-	-	-	-
-	24 V	24 V	-	-10% / +15%	-	3	2.6	2.1	1.9
-	110 V	110 V	-	-10% / +15%	-	3.1	2.6	2.2	1.9
-	230 V	230 V	-	-10% / +15%	-	3.2	2.8	2.3	2
-	230 V	230 V	-	-10% / +15%	-	3.5	3	2.5	2.2

**Directional valves ▶ Electrically operated**
**4/2-directional valve, Series 840**

▶ Qn = 200 l/min ▶ Pilot valve width: 22.5 mm ▶ pipe connection ▶ compressed air connection output: Ø6x1  
 ▶ Electr. connection: Plug, EN 175301-803, form C ▶ Manual override: with detent ▶ double solenoid ▶ Pilot: internal

	MO	Compressed air connection				Operational voltage			Part No.
		Input	Output	Exhaust		DC	AC 50 Hz	AC 60 Hz	
		Ø6x1	Ø6x1	Ø6x1	Ø 4,5	12 V	-	-	<b>5728410410</b>
						24 V	-	-	<b>5728410420</b>
						24 V	-	-	<b>5728410620</b>
						-	24 V	24 V	5728415420
						-	110 V	110 V	5728415470
						-	230 V	230 V	5728415480
						-	230 V	230 V	5728415680
						-	-	-	-

Part No.	Power consumption	Holding power		Switch-on power		Weight	Note
	DC	AC 50 Hz	AC 60 Hz	AC 50 Hz	AC 60 Hz		
	[W]	[VA]	[VA]	[VA]	[VA]		
<b>5728410410</b>	1.6	-	-	-	-	0.156	-
<b>5728410420</b>	1.6	-	-	-	-	0.157	-
<b>5728410620</b>	1.6	-	-	-	-	0.158	1)
5728415420	-	2.1	1.9	3	2.6	0.153	-
5728415470	-	2.2	1.9	3.1	2.6	0.157	-
5728415480	-	2.3	2	3.2	2.8	0.156	-
5728415680	-	2.5	2.2	3.5	3	0.16	1)

MO = Manual override

1) LED status display: Red

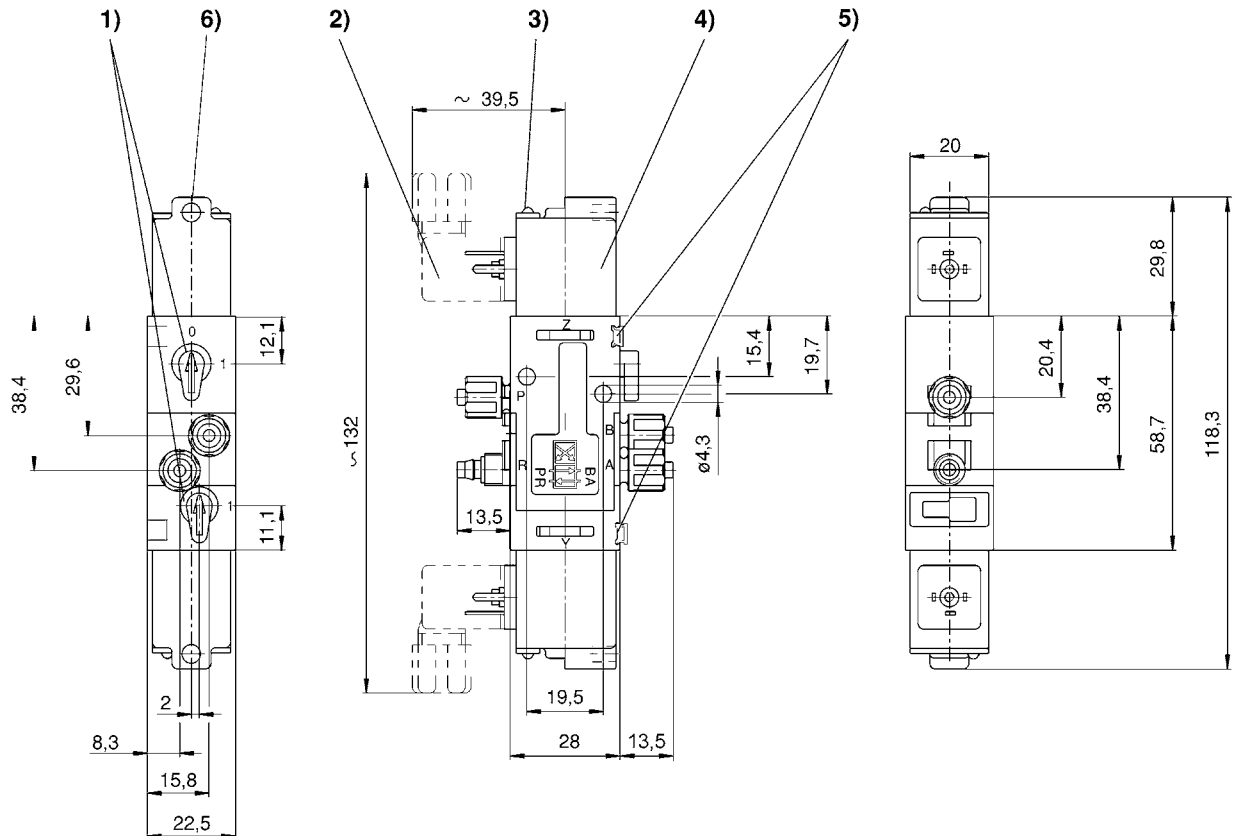
Nominal flow Qn at 6 bar and Δp = 1 bar

## Directional valves ▶ Electrically operated

### 4/2-directional valve, Series 840

▶ Qn = 200 l/min ▶ Pilot valve width: 22.5 mm ▶ pipe connection ▶ compressed air connection output: Ø6x1  
 ▶ Electr. connection: Plug, EN 175301-803, form C ▶ Manual override: with detent ▶ double solenoid ▶ Pilot: internal

#### Dimensions



- 1) Manual override 2) Electrical connector 3) LED display 4) Coil can be rotated at 180° intervals  
 5) Mounting space for name plate 6) Hole for M5 fitting or silencer or silencer Ø 4.5 mm

D572\_941