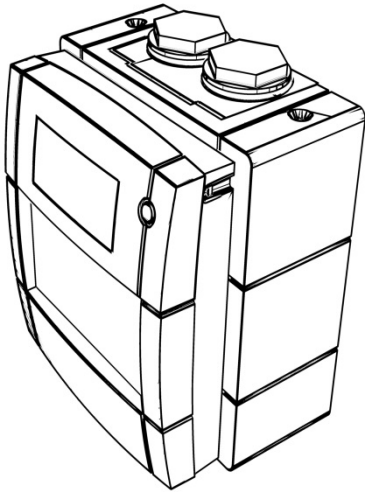
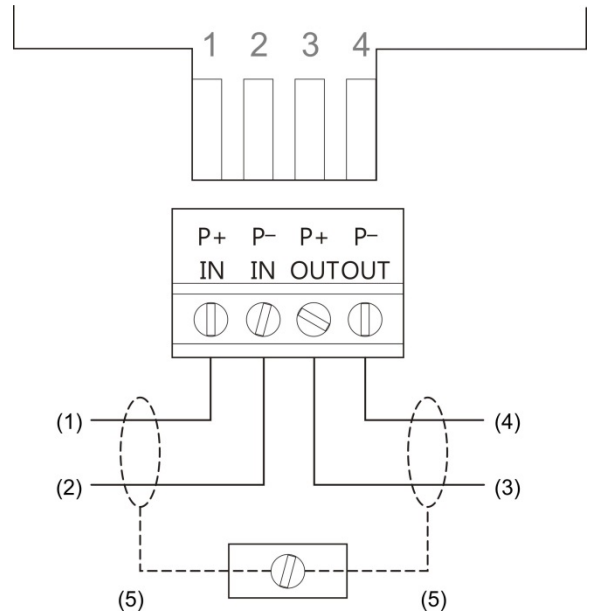


ZP787-3 Addressable Outdoor Manual Call Point Installation Sheet

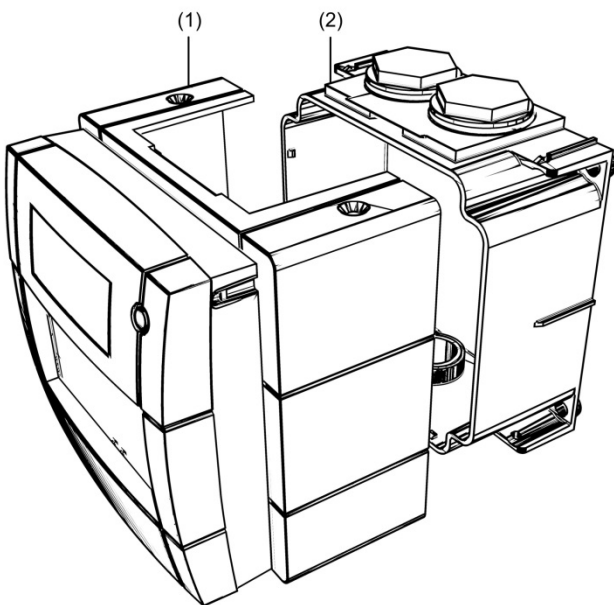
1



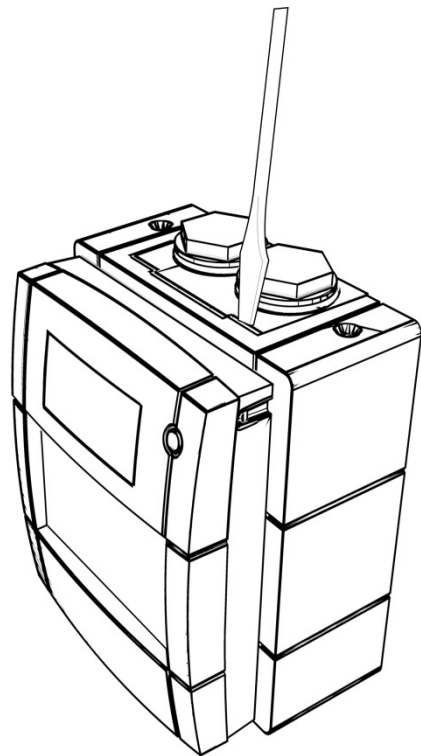
2

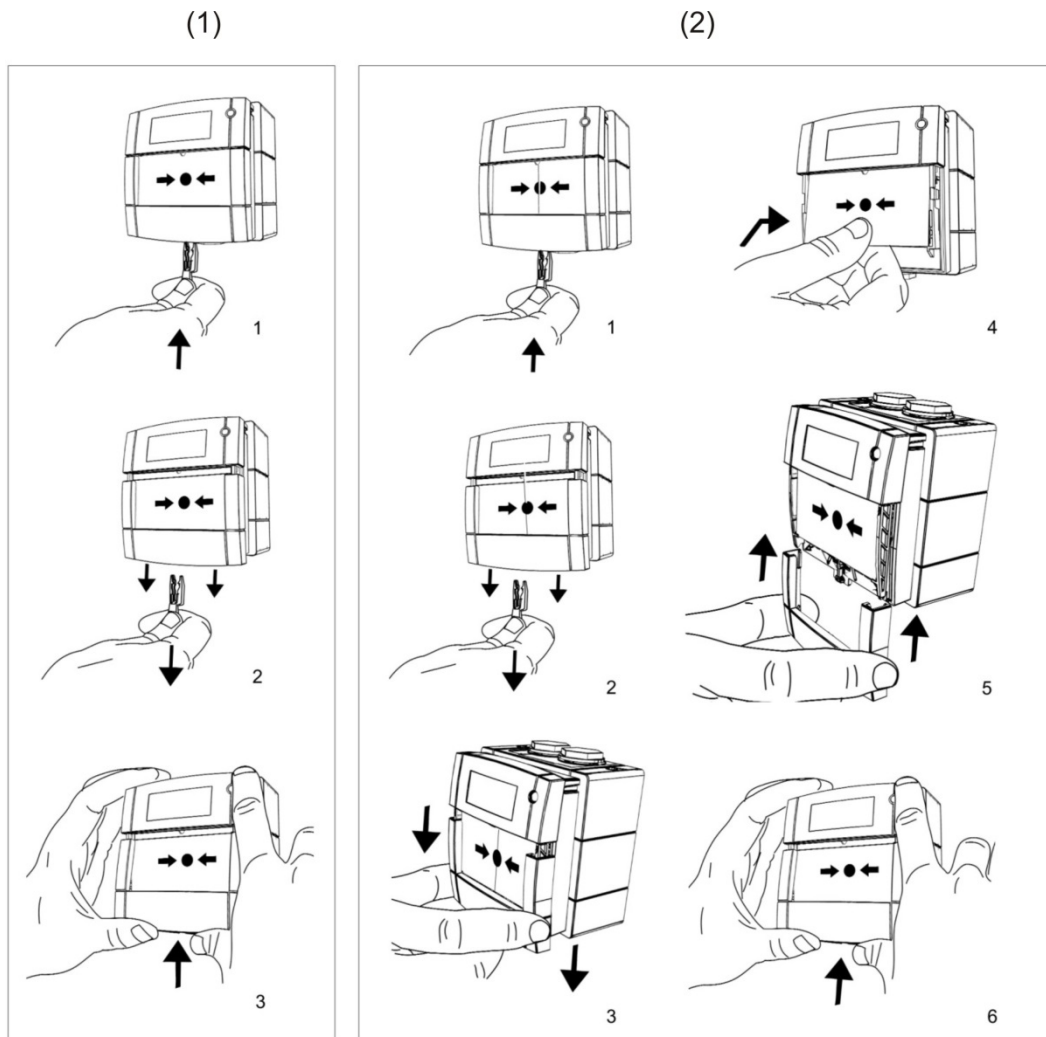


3



4





Description

The ZP787-3 Addressable Outdoor Manual Call Point (MCP) is used to manually initiate a fire alarm. It is designed for outdoor use and features an IP67 enclosure.

Available models are shown in the table below.

Table 1: Available models

| Number | Description |
|------------|--|
| ZP787-3 | Addressable Outdoor Manual Call Point (MCP), Ziton |
| ZP787-3S30 | Addressable Outdoor Manual Call Point (MCP), Chubb |

The MCP is shipped with a four-way connector, a test key, and an EN 54 universal glass.

A red LED on the front of the unit displays its status:

- Off = normal
- Flashing = active

Figures

Figure 1: Product illustration

Figure 2: Wiring diagram

- | | |
|----------------|----------------|
| (1) Loop + IN | (4) Loop - OUT |
| (2) Loop - IN | (5) Shield |
| (3) Loop + OUT | |

Figure 3: Installing the front housing

- | | |
|----------------------------|-------------|
| (1) Front housing assembly | (2) Backbox |
|----------------------------|-------------|

Figure 4: Removing the front housing

Figure 5: Test-reset and glass or resettable element replacement

- | |
|---|
| (1) Test and reset procedure |
| (2) Replacing the glass or resettable element |

Installation

Caution: This product must be installed by qualified personnel adhering to the CEN/TS 54-14 standard and any applicable local regulations or ordinances.

This product is designed for surface mounting and cannot be flush mounted.

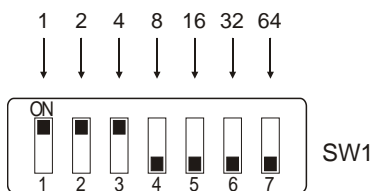
To install the MCP, follow these general steps.

1. Set the device address
2. Install the backbox
3. Wire the MCP
4. Install the MCP

Setting the device address

Use the seven-segment DIP switch (SW1) to assign the device address. Each switch segment represents the value shown below. The address is the sum of all the switch segments in the ON position. The switch is used to set the device address in binary code. The switch may be set to represent any address from 1 to 127.

For example, to select a device address of 007, set SW1-1, SW1-2, and SW1-3 to the ON position and the remaining switch segments to the OFF position.



Installing the backbox

The MCP is designed for surface mounting only. The unit is comprised of a front housing and a backbox, as shown in Figure 3.

1. Install the backbox using the screws provided.
2. Bring the field wiring into the backbox.
3. Use the plugs provided to cover unused holes in the backbox.

Wiring

Make the wiring connections shown in Figure 2.

Installing the front housing

1. Slide the front housing onto the backbox, and then press to snap them together as shown in Figure 3.
2. For additional security, the front housing can be secured at the top and bottom using the four screws provided.
3. Test the MCP for proper operation using the test key shown in Figure 5, item 1.

Removing the front housing

1. If the front housing is secured to the backbox using screws, remove the four screws (two at the top and two at the bottom).
2. Insert a screwdriver into the slot as shown in Figure 4, and then twist the screwdriver to separate the housing from the backbox.

Maintenance

Figure 5, item 1 illustrates how to perform a test and reset for the device. Use the supplied test key to perform routine testing without breaking the glass element. Insert the key to simulate breaking the glass element; remove the key to reset the call point automatically.

Figure 5, item 2 shows how to replace the glass or resettable element.

Specifications

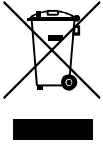
| | |
|------------------------|--------------------------|
| Operating voltage | 19.5 to 20.5 VDC pulsed |
| Current consumption | |
| Standby | 0.400 mA |
| Alarm | 0.450 mA |
| Addressing method | Seven segment DIP switch |
| Mounting | Surface |
| Wiring | Two-core loop |
| Construction | |
| Material | Moulded ABS |
| IP rating | IP67 |
| Colour | Red |
| Weight | 187 g |
| Dimensions (H x W x D) | 97.5 x 93 x 27.5 mm |
| Operating environment | |
| Temperature | -25°C to +70°C |
| Storage temperature | -20 to +70°C |
| Relative humidity | 10 to 95% noncondensing |

Regulatory information

This section provides a summary on the declared performance according to the Construction Products Regulation (EU) 305/2011 and Delegated Regulations (EU) 157/2014 and (EU) 574/2014.

For detailed information, see the product Declaration of Performance (available at <http://utcssecurityproducts.eu/>).

| | |
|-----------------------------------|--|
| EU compliance | CE |
| Certification body | 0832 |
| Manufacturer | KAC Alarm Company Limited KAC House, Thornhill Road, North Moons Moat, Redditch, B98 9ND, UK Authorized EU manufacturing representative: UTC Fire & Security B.V. Kelvinstraat 7, 6003 DH Weert, Netherlands |
| Year of first CE marking | 16 |
| Declaration of Performance number | 360-4211-0799 |
| EN 54 | EN 54-11 |
| Product type | Type A: for outdoor use |
| Product identification | See model number on product identification label |
| Intended use | See the product Declaration of Performance |
| Declared performance/s | See the product Declaration of Performance |



2012/19/EU (WEEE Directive): Products marked with this symbol cannot be disposed of as unsorted municipal waste in the European Union. For proper recycling, return this product to your local supplier upon the purchase of equivalent new equipment, or dispose of it at designated collection points. For more information see: <http://www.recyclethis.info>.

Contact information

For contact information, visit <http://utcssecurityproducts.eu/>.