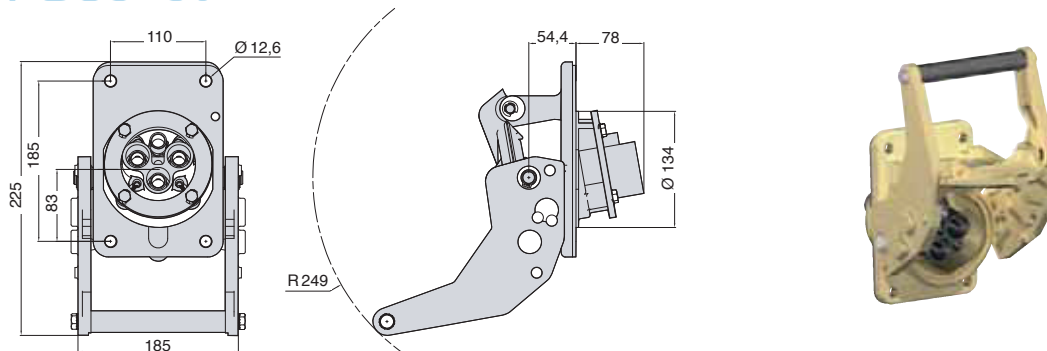


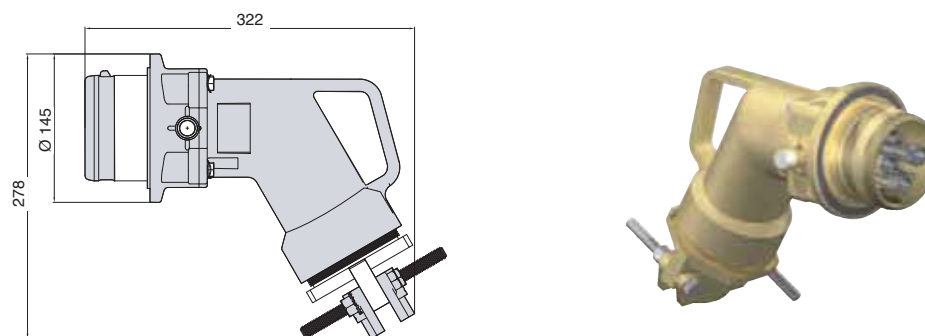
3PX5 - max. 570 A - 3.3 kV

Embase / Socket



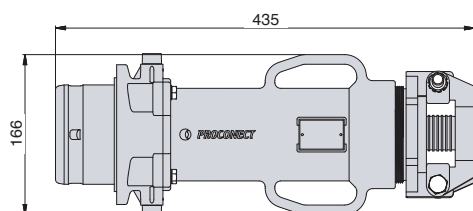
Nb poles	Amp. Max.	Isolant émet. Suppl. Insert IP2	Isolant inversé Inver. insert	Section mm ²	Calibre contact	Poids Weight (kg)
4 +2p	250	X5DE370	X5DR370	70	14	5,3
	320	X5DE395	X5DR395	95	14	
	370	X5DE312	X5DR312	120	14	
	420	X5DE315	X5DR315	150	14	
	420	X5DE318	X5DR318	185	14	
	500	X5DE318-16	X5DR318-16	185	16	
	420	X5DE324	X5DR324	240	14	
	570	X5DE324-18	X5DR324-18	240	18	
5 +2p	250	X5DE470	X5DR470	70	12	5,3
	320	X5DE495	X5DR495	95	12	
	320	X5DE412	X5DR412	120	12	
	320	X5DE415	X5DR415	150	12	
	420	X5DE415-16	X5DR415-16	150	16	
	320	X5DE418	X5DR418	185	12	
	320	X5DE418	X5DR418	185	12	
	500	X5DE418-16	X5DR418-16	185	16	

Fiche coudée / Angled plug 60°



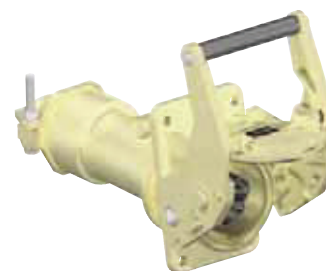
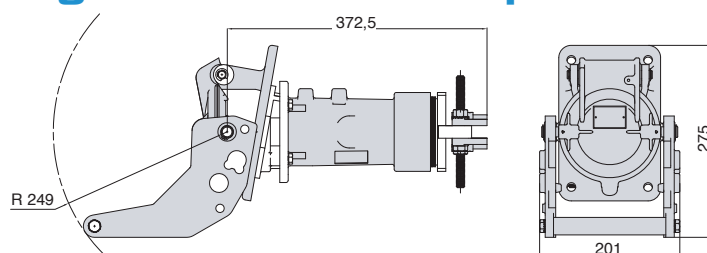
Nb poles	Amp. Max.	Isolant récepteur Receiving insert	Isolant inversé Inver. insert	Section mm ²	Calibre contact	Poids Weight (kg)	Diam. max. Cable (mm)
4 +2p	250	X5PR370	X5PE370	70	14	4,6	80
	320	X5PR395	X5PE395	95	14		
	370	X5PR312	X5PE312	120	14		
	420	X5PR315	X5PE315	150	14		
	420	X5PR318	X5PE318	185	14		
	500	X5PR318-16	X5PE318-16	185	16		
	420	X5PR324	X5PE324	240	14		
	570	X5PR324-18	X5PE324-18	240	18		
5 +2p	250	X5PR470	X5PE470	70	12	4,6	80
	320	X5PR495	X5PE495	95	12		
	320	X5PR412	X5PE412	120	12		
	320	X5PR415	X5PE415	150	12		
	420	X5PR415-16	X5PE415-16	150	16		
	320	X5PR418	X5PE418	185	12		
	320	X5PR418	X5PE418	185	12		
	500	X5PR418-16	X5PE418-16	185	16		

Fiche droite / Straight plug



Nb poles	Amp. Max.	Isolant récepteur Receiving insert	Isolant inversé Inver. insert	Section mm ²	Calibre contact	Poids Weight (kg)	Diam. max. Cable (mm)
4 +2p	250	X5PR370S	X5PE370S	70	14	4,9	80
	320	X5PR395S	X5PE395S	95	14		
	420	X5PR312S	X5PE312S	120	14		
	420	X5PR315S	X5PE315S	150	14		
	420	X5PR318S	X5PE318S	185	14		
	500	X5PR318S-16	X5PE318S-16	185	16		
	420	X5PR324S	X5PE324S	240	14		
5 +2p	570	X5PR324S-18	X5PE324S-18	240	18	4,9	80
	250	X5PR470S	X5PE470S	70	12		
	320	X5PR495S	X5PE495S	95	12		
	320	X5PR412S	X5PE412S	120	12		
	320	X5PR415S	X5PE415S	150	12		
	420	X5PR415S-16	X5PE415S-16	150	16		
	320	X5PR418S	X5PE418S	185	12		
500	X5PR418S-16	X5PE418S-16	185	16			

Prolongateur / Cable coupler



Nb poles	Amp. Max.	Isolant émet. Suppl. Insert IP2	Isolant inversé Inver. insert	Section mm ²	Calibre contact	Poids Weight (kg)	Diam. max. Cable (mm)
4 +2p	250	X5CE370S	X5CR370S	70	14	7,5	80
	320	X5CE395S	X5CR395S	95	14		
	420	X5CE312S	X5CR312S	120	14		
	420	X5CE315S	X5CR315S	150	14		
	420	X5CE318S	X5CR318S	185	14		
	500	X5CE318S-16	X5CR318S-16	185	16		
	420	X5CE324S	X5CR324S	240	14		
5 +2p	570	X5CE324S-18	X5CR324S-18	240	18	7,5	80
	250	X5CE470S	X5CR470S	70	12		
	320	X5CE495S	X5CR495S	95	12		
	320	X5CE412S	X5CR412S	120	12		
	320	X5CE415S	X5CR415S	150	12		
	420	X5CE415S-16	X5CR415S-16	150	16		
	320	X5CE418S	X5CR418S	185	12		
500	X5CE418S-16	X5CR418S-16	185	16			

Structure des références / References structure

