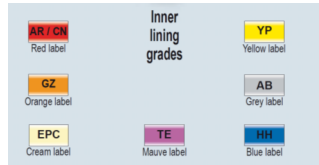


type M

DILATOFLEX® série M

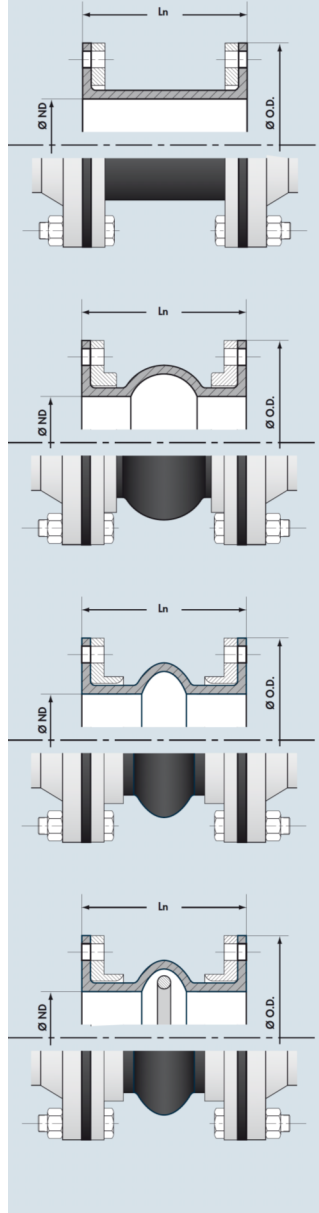


Extensions from our standard product range :

Specific larger movement compensation (larger waves, double waves...)

Custom made length from 225mm to 600mm or 750mm

Seismic resistant solutions



Example of label



DIMENSIONAL DATA				TECHNICAL DATA										
Nominal Diameter	Nominal length (Ln in mm)	Drilling standards ISO 2084 NF EN 1759-1 NF EN 1092-1 PN 2.5 - PN 6 PN 10	Other lengths: please consult us.	Other drillings: please consult us.	Max. permissible pressure (bar) (1)	Max. permissible vacuum (% vacuum)	Max. Permissible Movements (maximum values do not apply simultaneously)						End thrust in daN/lor	Approx. weight in kg. (with steel flanges) (2)
							Axial		Lateral	Angular				
ND mm	NPS inch					Ln - Lc mm	Le - Ln mm	R mm	angle °	P	V			
Type MD 40														
500	20	225	250	X	4	100%	20	0	30	2.3	1.7	2.3	42	
600	24	225	250	X	4	100%	20	0	30	1.9	1.4	3.2	53	
800	32		250	X	4	100%	20	0	30	1.4	1.1	5.6	82	
1000	40		250	X	4	100%	20	0	30	1.1	0.9	8.5	111	
1200	48		300	X	4	100%	20	0	30	0.9	0.7	12.1	179	
1400	56		300	X	4	100%	20	0	30	0.8	0.6	16.4	225	
1600	64		300	X	4	100%	25	0	30	0.9	0.5	21.2	345	
1800	72		300	X	4	100%	25	0	30	0.8	0.5	26.7	392	
2000	80		300	X	4	100%	25	0	30	0.7	0.4	32.9	450	
2200	88		300	X	4	100%	25	0	30	0.7	0.4	39.6	525	
For any intermediate sizes and further sizes up to ND 2800mm (112"), please consult us.														
Type MS 50														
500	20		250	X	6	0%	20	15	30	4.0	-	2.4	49	
600	24		250	X	6	0%	20	15	30	3.3	-	3.4	60	
800	32		250	X	6	0%	20	15	30	2.5	-	5.8	92	
1000	40		250	X	6	0%	20	15	30	2.0	-	8.8	122	
1200	48		300	X	6	0%	20	15	30	1.7	-	12.4	200	
1400	56		300	X	6	0%	20	15	30	1.4	-	16.4	251	
1600	64		300	X	6	0%	20	15	30	1.2	-	21.5	391	
1800	72		300	X	6	0%	20	15	30	1.1	-	27.0	438	
2000	80		300	X	6	0%	20	15	30	1.0	-	33.1	500	
2200	88		300	X	6	0%	20	15	30	0.9	-	39.9	580	
For any intermediate sizes and further sizes up to ND 2800mm (112"), please consult us.														
Type MA 60														
500	20		250	300	X	10	0%	30	30	30	6.8	-	2.6	54
600	24		250	300	X	10	0%	30	30	30	5.7	-	3.6	68
800	32		250	300	X	10	0%	30	30	30	4.3	-	6.1	98
1000	40		250	300	X	10	0%	30	30	30	3.4	-	9.1	135
1200	48		300	300	X	10	0%	30	30	30	2.9	-	12.8	215
1400	56		300	300	X	10	0%	30	30	30	2.4	-	17.2	273
1600	64		300	300	X	10	0%	30	30	30	2.1	-	22.1	405
1800	72		300	300	X	10	0%	30	30	30	1.9	-	27.7	454
2000	80		300	300	X	10	0%	30	30	30	1.7	-	33.9	514
2200	88		300	300	X	10	0%	30	30	30	1.6	-	40.7	617
For any intermediate sizes and further sizes up to ND 2800mm (112"), please consult us.														
Type MB 60														
500	20		250	300	X	8	100%	30	10	30	4.6	4.6	2.6	61
600	24		250	300	X	8	100%	30	10	30	3.8	3.8	3.6	77
800	32		250	300	X	8	100%	30	10	30	2.9	2.9	6.1	109
1000	40		250	300	X	8	100%	30	10	30	2.3	2.3	9.1	149
1200	48		300	300	X	8	100%	30	10	30	1.9	1.9	12.8	232
1400	56		300	300	X	8	100%	30	10	30	1.6	1.6	17.2	290
1600	64		300	300	X	8	100%	30	10	30	1.4	1.4	22.1	426
1800	72		300	300	X	8	100%	30	10	30	1.3	1.3	27.7	477
2000	80		300	300	X	8	100%	30	10	30	1.1	1.1	33.9	550
2200	88		300	300	X	8	100%	30	10	30	1.0	1.0	40.7	645
For any intermediate sizes and further sizes up to ND 2800mm (112"), please consult us.														

(1) Limited to the nominal pressure of the drilling standard being used
(2) Steel retaining flanges in 1 part (zinc-chromated, hot-dip galvanized or stainless steel)

anvis Industry S.A.S.

Sales office : 2 rue du Pont Colbert - 78000 Versailles, France

Phone : +33(0)1 30 97 41 41 / Fax : +33(0)1 30 97 41 01 / www.dilatoflex.com

