

Eltex yarn sensor 16560-67, 16580

with opto coupler output



General description

The yarn break sensors are working on the piezoelectrical principle. The yarn movement is transferred into an electric signal, which is amplified and evaluated within the sensor.

The sensor has an opto coupler output.

A LED (light emitting diode) indicates the yarn movement.

Function and description

Sensing part	ceramic eyelet/bar
Power supply	24 VDC (16–33 VDC)
Current consumption	25 mA
Output	opto coupler
Sensitivity setting	with a potentiometer on the sensor.

The movement of the yarn is best detected if the yarn angle is 10–15° through the eyelet.

To set the sensitivity, turn the potentiometer clockwise to the end position (maximum sensitivity). Let the machine run while turning the potentiometer slowly counterclockwise until the sensor stops the machine even though the yarn is moving correctly. Then turn the potentiometer approximately 45° clockwise.

If there are still false stops, increase the setting by another 20° clockwise.



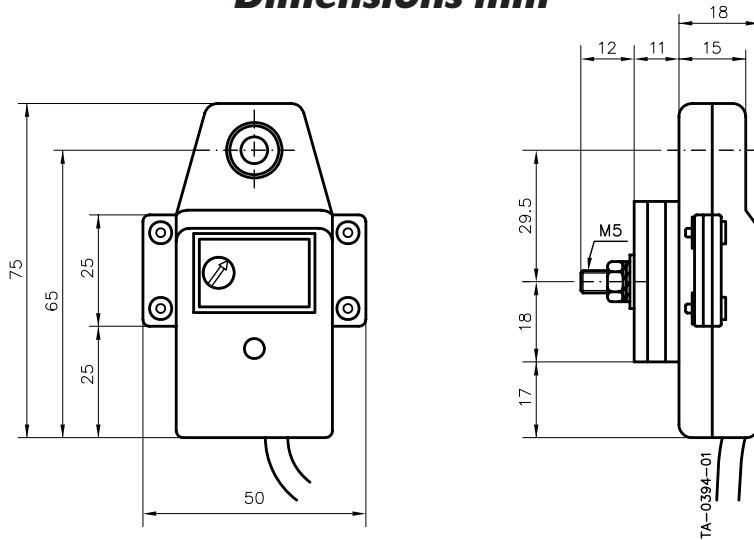
ELTEX U.S. INC.
13031 E. Wade Hampton Blvd
Greer, SC 29651
USA
Tel: 864-879-2131
In U.S. tollfree: 1-800-421-1156
Fax: 864-879-3734
Email: sales@eltexus.com

Box 24 • SE-283 21 OSBY • Sweden • Tel. +46 479 53 63 00 • Fax +46 479 53 63 99
E-mail: info@eltex.se • Web: www.eltex.se

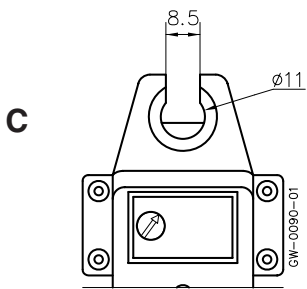
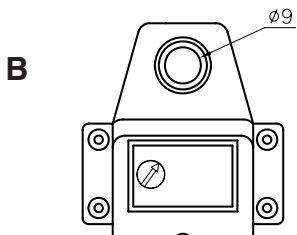
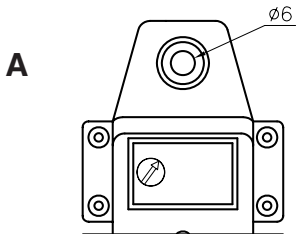
ELTEX MFG LTD
Railway Road
Templemore, Co. Tipperary
Ireland
Tel: 504-314 33
Fax: 504-310 02
Email: info@eltex.ie

POLSA-ELTEX S.L.
Zamora, 103 - entlo 3
ES-08018 Barcelona
Spain
Tel: 093-309 00 17
Fax: 093-309 59 45
Email: polsa@infonegocios.com

Dimensions mm



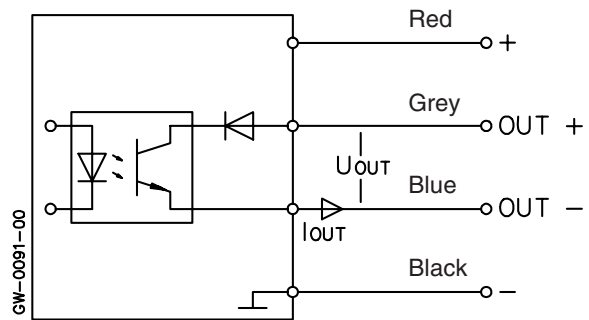
Eyelet



Connection / Output

A NO = The opto coupler is off when yarn is **not** moving, and on when the yarn is moving.

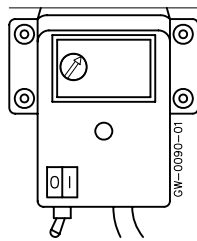
B NC = The opto coupler is on when yarn is **not** moving, and off when the yarn is moving.



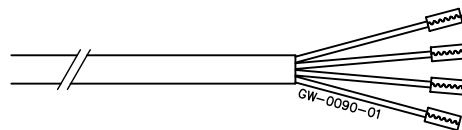
ON (closed): $I_{out} \text{ max} = 15 \text{ mA}$ ($U_{out} = 1.3 \text{ V DC}$)

OFF (open): $U_{out} \text{ max} = 30 \text{ V DC}$

ON/OFF switch



Cable



Models

Part.no.	Eyelet	Output	LED	ON/OFF switch	Cable	Reaction time	Notes
16560	A	A = NO	Green		3.65 m	25 ms	
16561	C	A = NO	Green		3.65 m	25 ms	Not for sewing
16563	A	B = NC	Red	Yes	3.65 m	25 ms	
16564	A	A = NO	Green		3.65 m	10 ms	Not for sewing
16565	A	A = NO	Green		5.00 m	25 ms	
16566	A	A = NO	Green		5.00 m	250 ms	
16567	B	B = NC	Red	Yes	3.65 m	25 ms	
16580	A	A = NO	Green		3.65 m	25 ms	Not for sewing