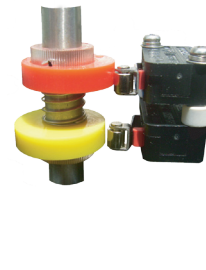
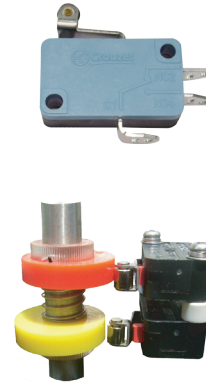
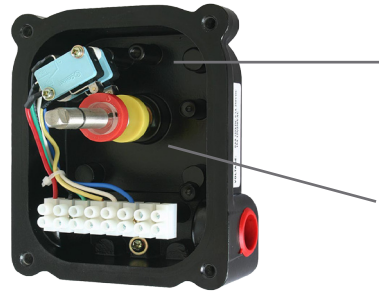


BAP-300M2

SWITCHBOX WITH 2 MECHANICAL SWITCHES



DESCRIPTION

The BAP-300M2 switchbox is a rotary position indication device. The cams push the mechanical switches to contact, the signal can be used for remote indication (to PC or PLC) of the valve position. On top of the box is a waterproof conical yellow/red indicator for top- and side view visual position indication. The box has standard a double cable entry M20-1.5

CROUZET MECHANICAL SWITCHES	
2xSPDT	
AC : 125-250V AC - MAX 15A	
DC : 24V DC-10A - 125V DC-0,6A - 250V DC-0,3A	
TEMPERATURE RANGE : -25°C to 85°C	

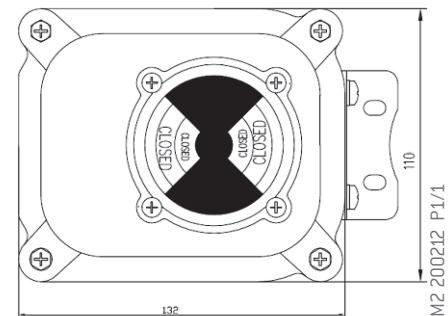
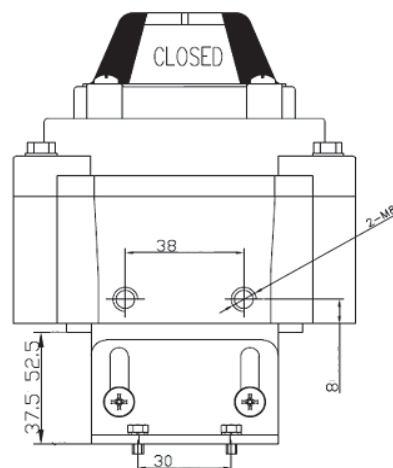
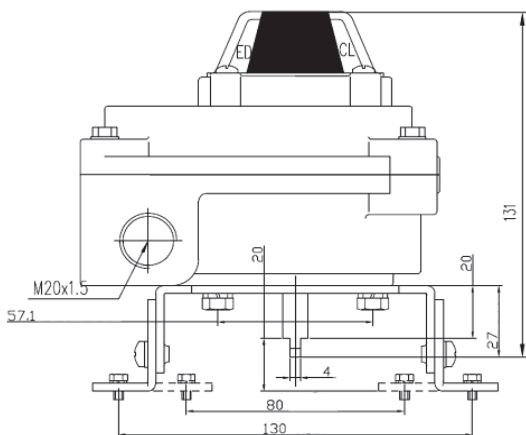
PRACTICAL INFORMATION	
BOX IS CE APPROVED	
INGRESS PROTECTION CODE : IP67	
CONDUIT ENTRIES : 2X M20-1.5	
TERMINAL STRIP CONTACTS : 8	
STANDARD SUPPLIED WITH 1 CABLE GLAND M20-1.5 FOR CABLES 8-12MM WITH NAMUR SHAFT	
WITH CARBON STEEL MOUNTING BRACKET : 30x80-130 H:20-30	
TEMPERATURE RANGE OF BOX : -20°C TO 85°C	

DESCRIPTION	MATERIAL
BOX COVER & BODY	ALUMINIUM DIE CASTING
COATING	DICHROMATE CONVERSION WITH BLACK POLYESTER POWDER COATING
SHAFT/FASTENERS	STAINLESS STEEL 304
O-RINGS	NBR
INDICATOR	ABS
INDICATOR COVER	POLYCARBONATE

OPTIONS

BOX IS ALSO AVAILABLE WITH
ADDITIONAL 4-20mA TRANSMITTER
ADDITIONAL 1 OR 2 CROUZET SWITCHES
2X DPDT CROUZET SWITCHES
NAMUR SENSORS : P&F NCB2-V3 (ExialICT6 - 2 wire - 8VDC)
INDUCTIVE SENSORS : 2 wire - 10-30VDC
INDUCTIVE SENSORS : 3 wire - 10-30VDC (PNP NO or NPN NO)
INDUCTIVE SENSORS : 3 wire - 10-30VDC with 4-20mA TRANSMITTER
MAGNETIC SENSORS : 3 wire - 5-240VAC/DC
ASI I/O MODULES AND SENSORS (4 INPUTS - 2 OUTPUTS)
LINEAR POSITION INDICATION WITH 2 SPDT CROUZET SWITCHES

DIMENSIONS



TF BAP-300M2 200212 P1/1