

SK-505 Lubricator

Motor-driven, Semi-fluid Greases



General

The SK-505 lubricator is a piston discharge pump activated by a small direct current 24 Volt(DC) electric motor. SK-505 Model B has a discharge pressure of 2100 psi.

Application

This model is normally used with progressive divider blocks for small and medium sized systems (refer to *Brochure #166 - Progressive Lubricating Systems*). The outlet port has a 1/4" BSPP thread for use with inverse flare fittings. Use adapter #20331 and seal #35010 to adapt to 1/8" NPT female threads.



Technical Data

Lubricant		NLGI 000, 00 and 0 (Reservoir B & E); NLGI 1 (Reservoir G)
Reservoir		Clear plastic with follower plate
Reservoir Capacity		0.4 liter (400cc), 1.0 liter (1000cc)
"ON" Time (max.)		5 minutes
"OFF" Time (min.)		5 minutes
Pump Output		Approx. 13cc/min at 0 psi; Approx. 6cc/min at 2100 psi (150 kg/cm ²)
Motor Current		No Load = 0.8 amps, Stalled ≤ 3.0 A
Temperature Range	All Models w/ Grade 0, 00, or 000 Grease	30° - 100°F (-1° - 38°C)
	Model B w/ Grade 1 Grease	50° - 100°F (10° - 38°C)

BIJUR DELIMON INTERNATIONAL

(919) 465 4448 LOCAL
 (800) 631 0168 TOLL-FREE
 (919) 465 0516 FAX

WWW.BIJURDELIMON.COM

2100 Gateway Centre Blvd., Suite 109
 Morrisville, NC 27560

24266 • R4 07/15

Operation

Filling Grease Reservoir

Do not fill from top – always fill reservoir with clean grease through the standard zerk grease fitting located in lower housing. This action minimizes introduction of air pockets into lubricator and centralized distribution system.

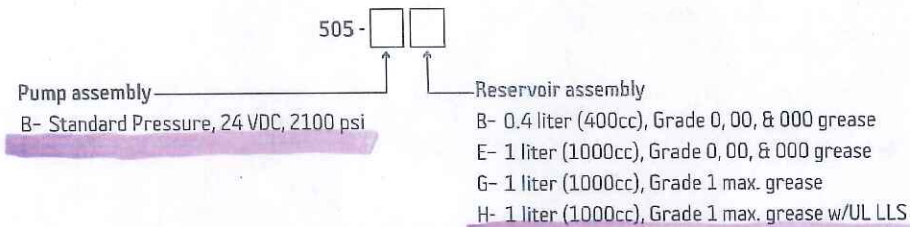
Reservoir Assembly

- + Reservoir G (1 liter with Grade 1 grease) has a heavy follower plate to avoid cavitation at the pump inlet.

How To Order

Various pump assemblies, specifications and reservoirs are shown below. Construct the ordering designation for the SK 505 lubricator you require by inserting the individual codes for the required parts. Refer to example of ordering sequence shown below:

Example: Part number 505-BE would represent a 24 VDC, 2100 psi lubricator assembly complete with a 1 liter reservoir for use with grease not exceeding NLGI No. 0.



Service Parts

Description	Part #
Reservoir B	44276700
Reservoir E	44278900
Reservoir G	44278900
Reservoir H	44263900
Pump/Motor Assembly	44990700

BIJUR DELIMON INTERNATIONAL

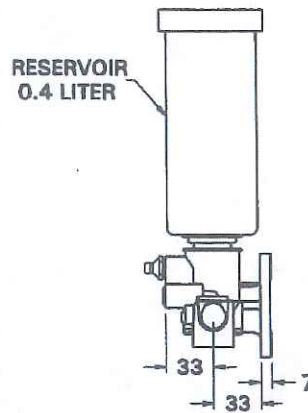
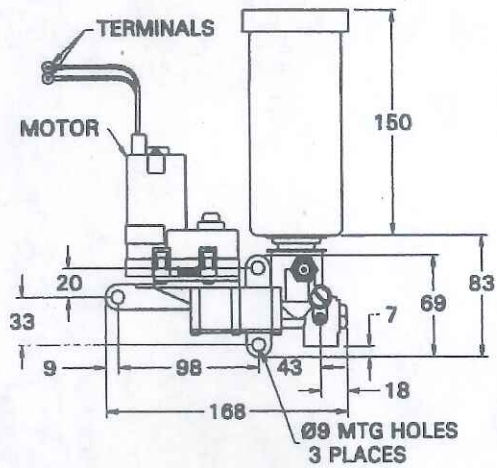
(919) 465 4448 LOCAL
 (800) 631 0168 TOLL-FREE
 (919) 465 0516 FAX

WWW.BIJURDELIMON.COM

2100 Gateway Centre Blvd., Suite 109
 Morrisville, NC 27560

Dimensional Schematics

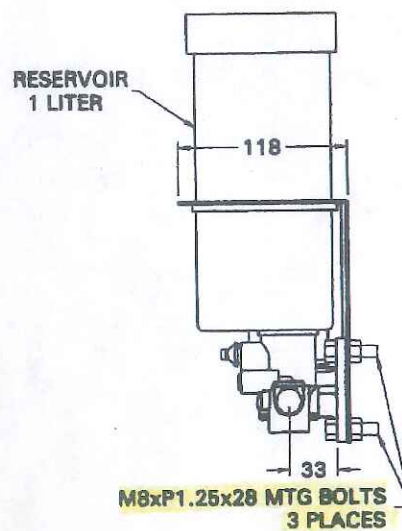
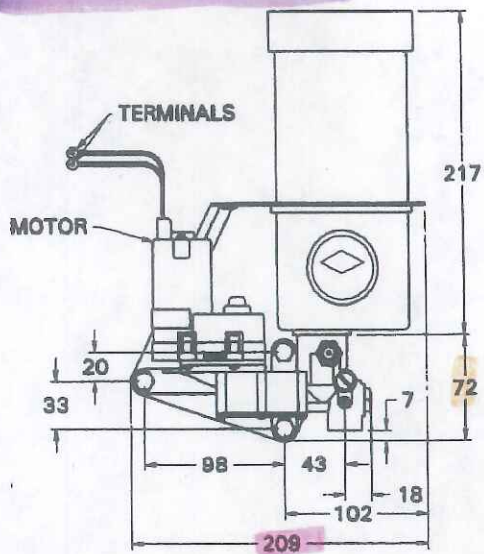
0.4 Liter (400cc) Reservoir



Measurements shown in millimeters.

Note: Configurations shown on this data sheet are basic models. Other options available include 2.0 liter reservoir unit, low level switches for 1.0 and 2.0 liter reservoirs and high output pressure units. For additional information, contact your nearest Bijur Delimon representative.

1.0 Liter (1000cc) Reservoir



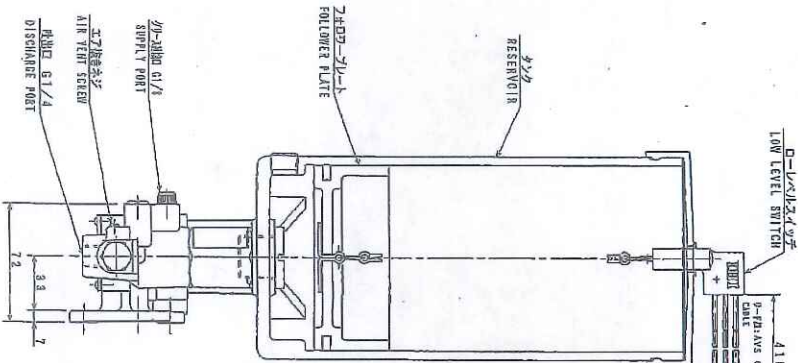
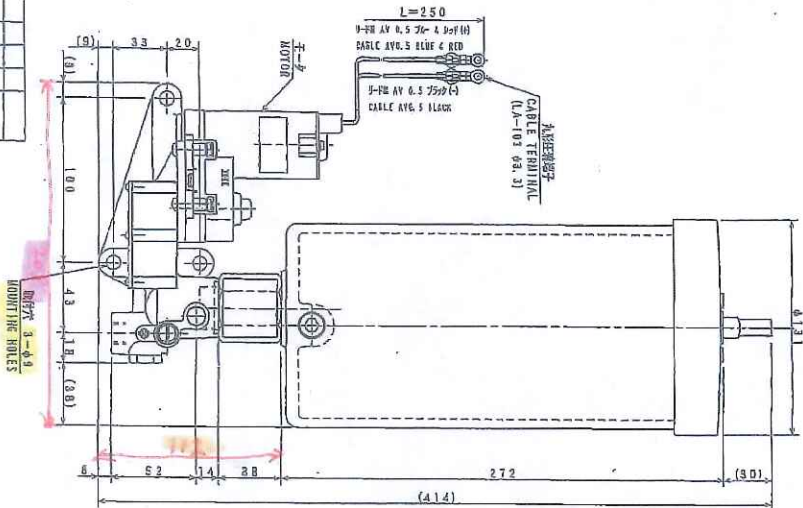
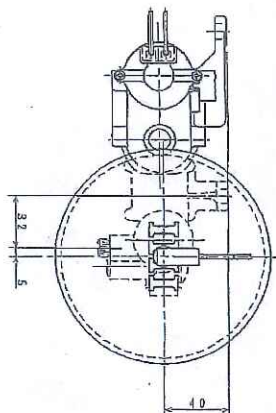
BIJUR DELIMON INTERNATIONAL

(919) 465 4448 LOCAL
(800) 631 0168 TOLL-FREE
(919) 465 0516 FAX

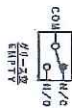
WWW.BIJURDELIMON.COM

2100 Gateway Centre Blvd., Suite 109
Morrisville, NC 27560

24266 • R4 07/15



ローレベルスイッチ仕様
FOR LOW LEVEL SWITCH INFORMATION
ZIN AC 230V 2A
ZIN DC 50V 5A



仕様 SPECIFICATIONS

型式 MODEL	SK-5058M-2-LLS		
吐出量 DISCHARGE CAPACITY	13 cm ³ /ml/min (BORE THRU)		
吐出圧力 WORKING PRESSURE	MAX. 14.7 MPa (150 kgf/cm ²)		
メソッド容量 REFERENCE CAPACITY	2000 cm ³	(有効容量 1810 cm ³)	
電圧 VOLTAGE	DC 24V		
電流 CURRENT	1.5A (最大定格電流)		
特徴 MOTOR	1/4HPのモーターを使用した直動型自動再開器。10±0.5℃動作温度範囲。		
動作温度範囲 OPERATING RANGE	-20~80℃		
適用可能な装置 APPLICABLE APPLIANCE	NLG1 No. 0, 00		
質量 MASS	APPROX. 2.0kg		
部材番号 PART NO. CODE NO.	RK893000		

(注) 低温使用の場合は温度無効。
NOTE: NO DEW CONDENSATION UNDER LOW TEMPERATURE RUN.

品名	単位	数量

SCALE	1/2	AUTOGRAESTAR	
DATE	2000-4-5	電機試験機製作	
MOTOR-DRIVEN TYPE PUMP		生産	
MODEL: SK-5058M-2-LLS		検査	
JOB NO.		検査	
REF. DRAWING NO. L9012896		検査	
IHI 株式会社 IHI 国際機械		検査	
IHI Corporation and Machinery Co., Ltd.		検査	