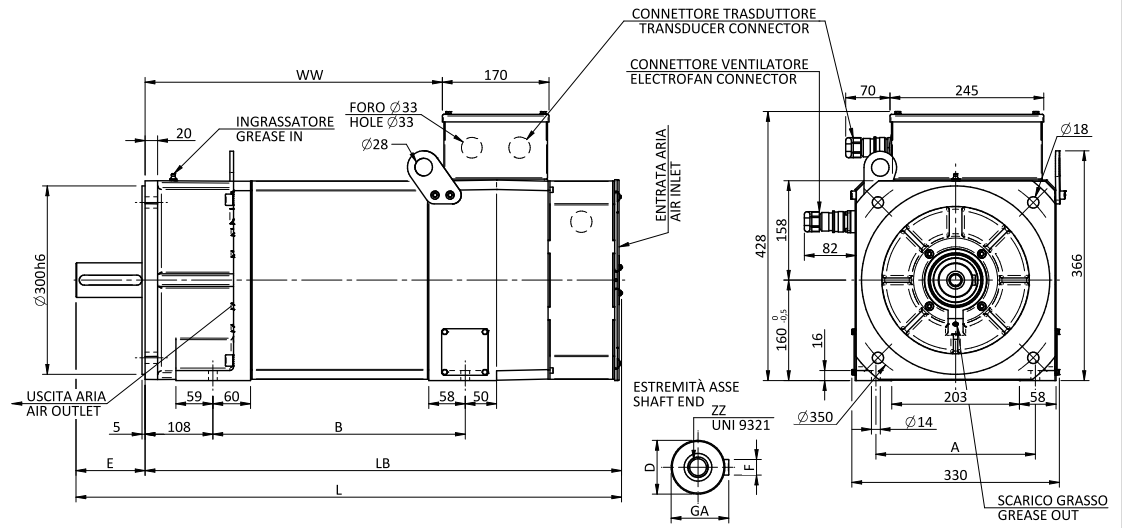


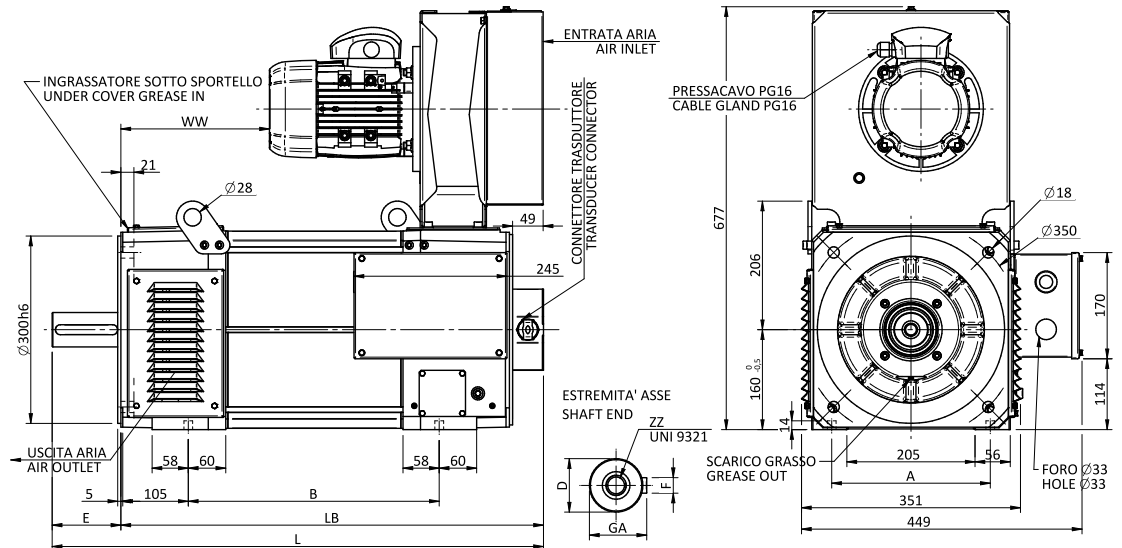
# Overall Dimension



## MQ160 IP54-PVAP

Flange dimensions are referred to B35 version foreseen upon request

Type	A	B	D	E	F	GA	L	LB	WW	ZZ
MQ160 M	254	402	Ø 55m6	110	16h9	59	869	759	474	M20
MQ160 L	254	482	Ø 55m6	110	16h9	59	949	839	554	M20
MQ160 P	254	552	Ø 55m6	110	16h9	59	1019	909	624	M20
MQ160 X	254	602	Ø 55m6	110	16h9	59	1069	959	674	M20

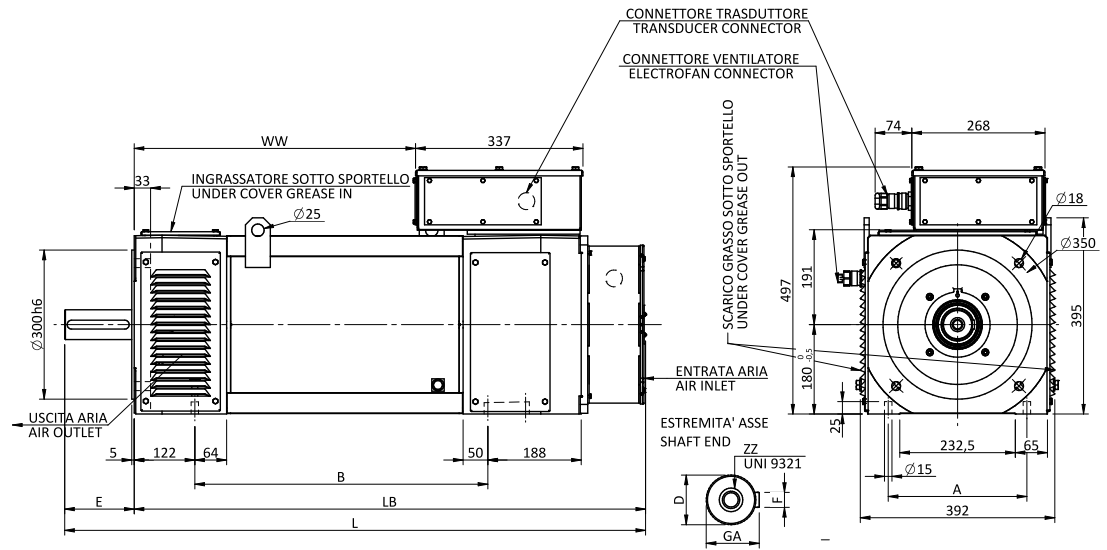


## MQ160 IP23-PVA

Flange dimensions are referred to B35 version foreseen upon request

Type	A	B	D	E	F	GA	L	LB	WW	ZZ
MQ160 M	254	402	Ø 55m6	110	16h9	59	787	677	238	M20
MQ160 L	254	482	Ø 55m6	110	16h9	59	867	757	318	M20
MQ160 P	254	552	Ø 55m6	110	16h9	59	937	827	388	M20
MQ160 X	254	602	Ø 55m6	110	16h9	59	987	877	438	M20

# Overall Dimension

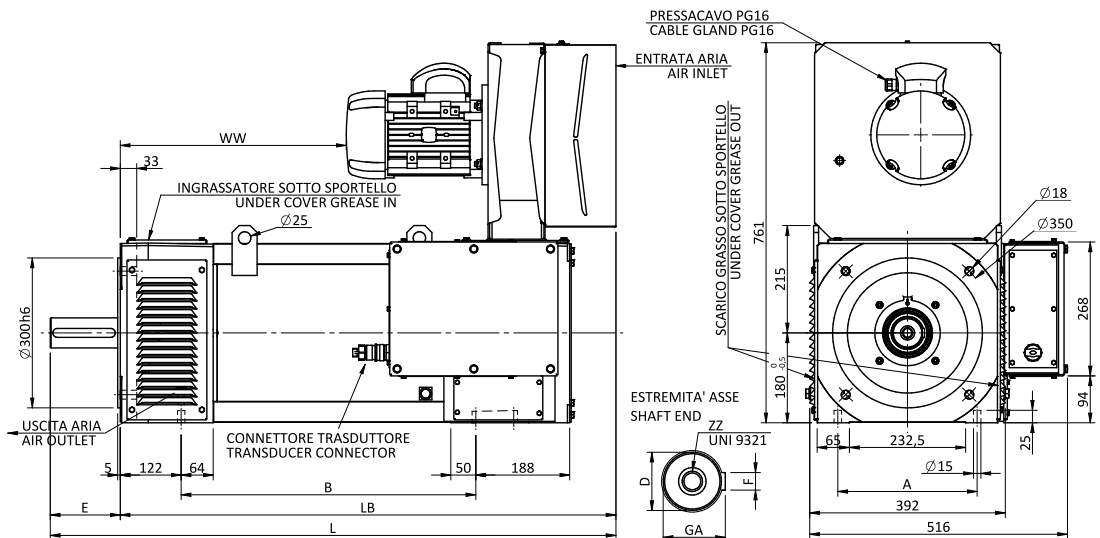


\* = prevista asolatura +76mm  
 \* = it is foreseen a pitch hole +76mm

## MQ180 IP54-PVAP

Flange dimensions are referred to B35 version foreseen upon request

Type	A	B*	D	E	F	GA	L	LB	WW	ZZ
MQ180 K	279	400	∅ 60m6	140	18h9	64	980	840	376	M20
MQ180 S	279	460	∅ 60m6	140	18h9	64	1040	900	436	M20
MQ180 M	279	520	∅ 60m6	140	18h9	64	1100	960	496	M20
MQ180 L	279	590	∅ 60m6	140	18h9	64	1170	1030	566	M20
MQ180 P	279	660	∅ 60m6	140	18h9	64	1240	1100	636	M20



\* = prevista asolatura +76mm  
 \* = it is foreseen a pitch hole +76mm

## MQ180 IP54/IP23-PVA

Flange dimensions are referred to B35 version foreseen upon request

Type	A	B*	D	E	F	GA	L	LB	WW	ZZ
MQ180 K	279	400	∅ 60m6	140	18h9	64	943	803	262	M20
MQ180 S	279	460	∅ 60m6	140	18h9	64	1003	863	322	M20
MQ180 M	279	520	∅ 60m6	140	18h9	64	1063	923	382	M20
MQ180 L	279	590	∅ 60m6	140	18h9	64	1133	993	452	M20
MQ180 P	279	660	∅ 60m6	140	18h9	64	1203	1063	522	M20