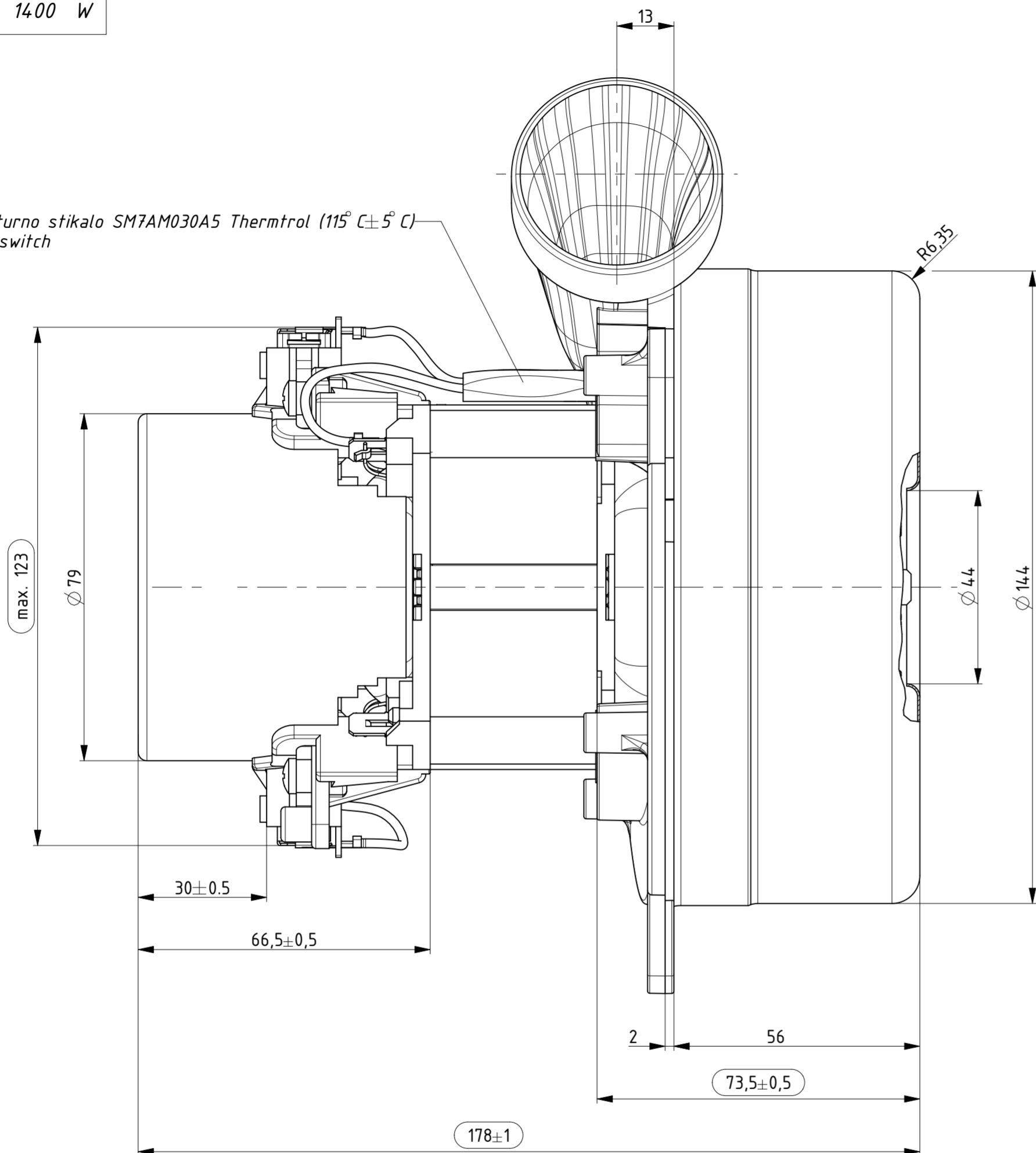
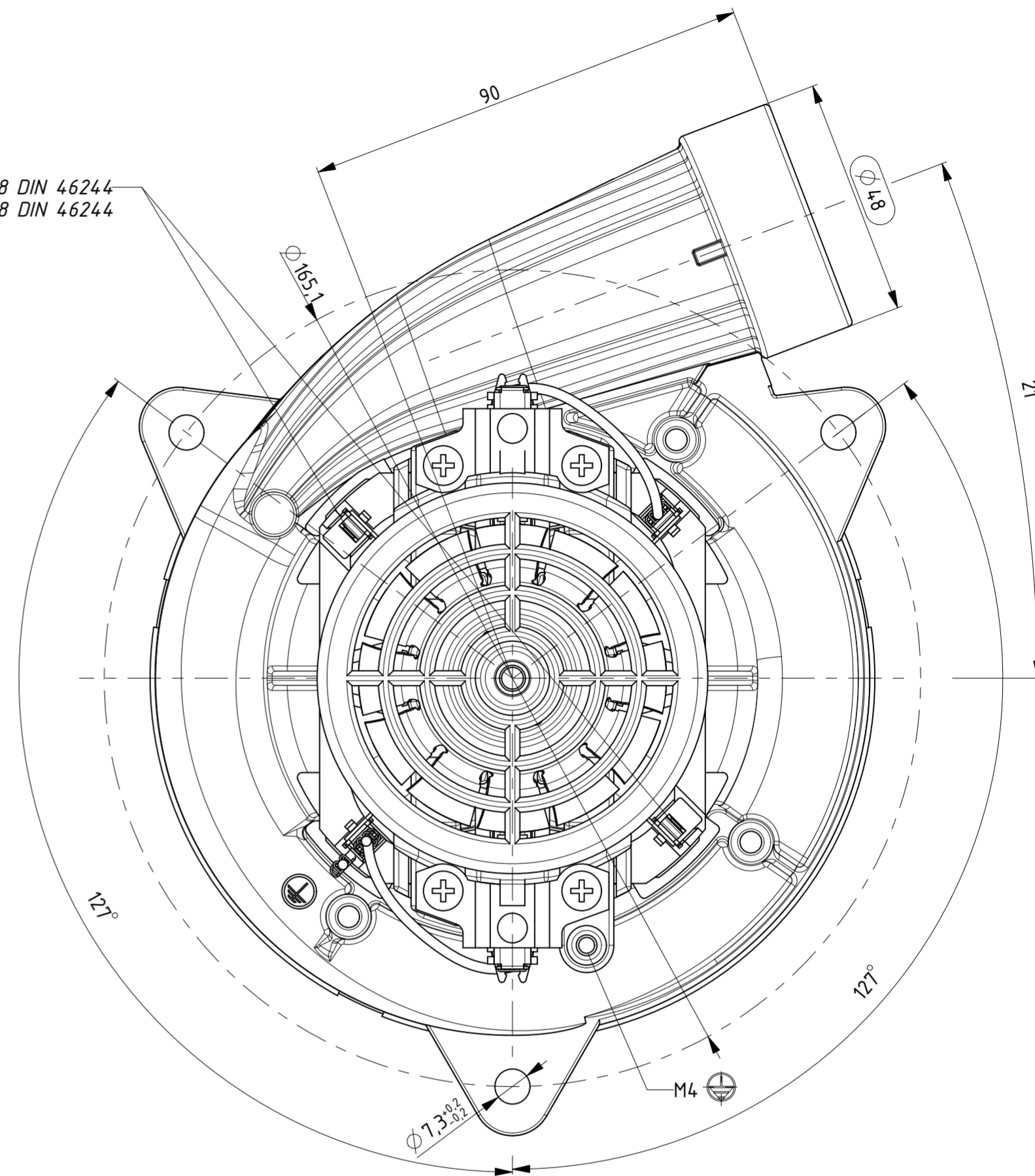


NAPETOST VOLTAGE	230 V
FREKVENCA FREQUENCY	50 Hz
NAZIVNA MOČ NOMINAL POWER	1350 W
MAKSIMALNA MOČ MAXIMAL POWER	1400 W

Temperaturno stikalo SM7AM030A5 Thermtrol (115° C ± 5° C)
Thermal switch



2x vtič 4.8-0.8 DIN 46244
2x FASTON size 4.8-0.8 DIN 46244



Izdelano s CAD/ProEngineer - račno spreminjanje ni dovoljeno! Vsa prenos tretjim osebam ali uporaba v nedogovorjene namene ni dovoljena po zakonu o avtorskih pravicah. Made with CAD/ProEngineer - changing is not allowed! Any unauthorized copying of this drawing or unauthorized distribution of the information contained herein is prohibited.

OSNOVNE ZNAČILNOSTI		TYPICAL CHARACTERISTICS	
IZVEDBA	DVOSTOPENJSKA	FAN SYSTEM	TWO STAGE
VLEŽAJENJE	DVA KROGLIČNA LEŽAJA	BEARINGS	DUAL BALL
VRSTA PRETOKA	MIMO MOTORJA	DISCHARGE	BY PASS
SMER VRTENJA	LEVA	DIRECTION OF ROTATION	CCW
LABIRINTNA TULKA	DA	LABYRINTH SEAL SPACER	YES
LAKIRANI POKROVI	DA	EPOXY PAINTED FAN CASE	YES
LAKIRANA TURBO KO.	DA	EPOXI PAINTED IMPELLERS	YES

Oznake natisnjene na SE:
Information stamped on VCM:

DOMEL 491.3.735-2
230V 50 Hz
XXXX I.CI.B



All dimensions in mm.

○, * - pomembna mera
important dimension

Tolerance odprtih mer Tolerances without individual indications		Površinska hrapavost Surface finishing		Merilo Scale		Original format ISO 5457 - A2	
ISO 8015 ISO 2768 - mK				Gradivo / Material			
Datum/Date		Ime/Name		Naziv Title			
Izdelal Designed		29.8.2013		Tušek J.		SESALNA ENOTA	
Pregl. Verified		30.8.2013		J. Rihtaršič			
Ozn. Mark		10916		Datum Date		30.08.13	
Sf. obvestila Nr. of notice				Ime Name		J. Tušek	
				Koda Code		491.3.735-2	
				Otoki 21, 4228 Železniki, Slovenija		List Sheet 3+	
						Stran Page 1	
						4913735002_SESALNA_ENOTA	

