

Stainless steel rotary vane pumps



The rotary vane pumps, sold worldwide under the trademark Rotoflow are volumetric pumps, designed for pumping water and aggressive liquids with low flow at high pressure.

Technical features and manufacturing characteristics

The rotary vane pump is stainless steel AISI 303 made, while the pumping chamber and the vanes are in graphitic carbon.

The inlet and outlet ports are 3/8" NPT threaded.

The pump is equipped with a built-in by-pass. Upon request the pump is also available without by-pass.

The motor coupling may be either direct through a metallic clamp or through an elastic coupling.

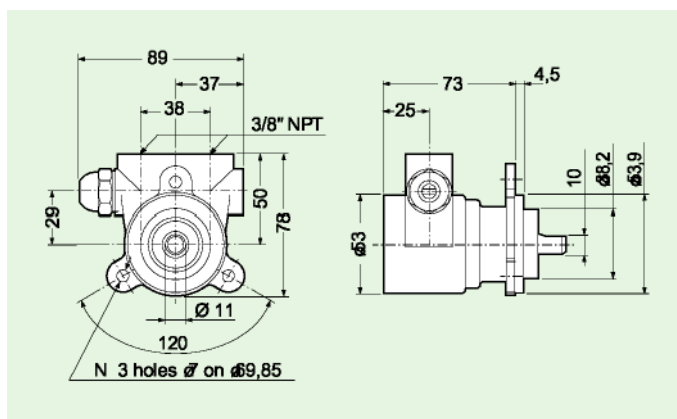
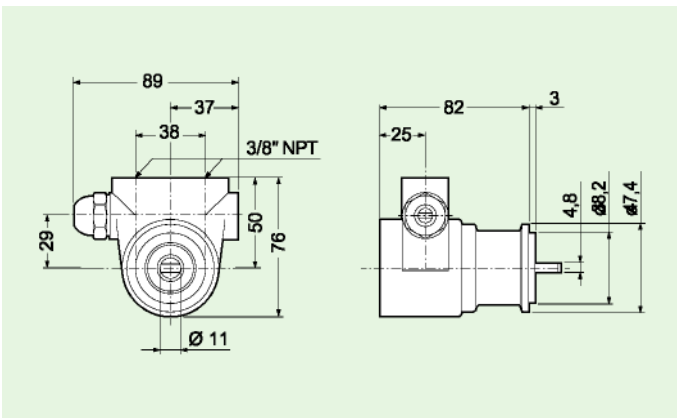
All models, upon request, are available:

- with special clearances (suffix - H) for temperature higher than 70 C (158 F) max 90 C (194 F)

- with Viton/EPDM seals (suffix - V/E) for special fluids

- NSF listed pumps for potable water

In this case the prefix for each model is PA instead of PO.



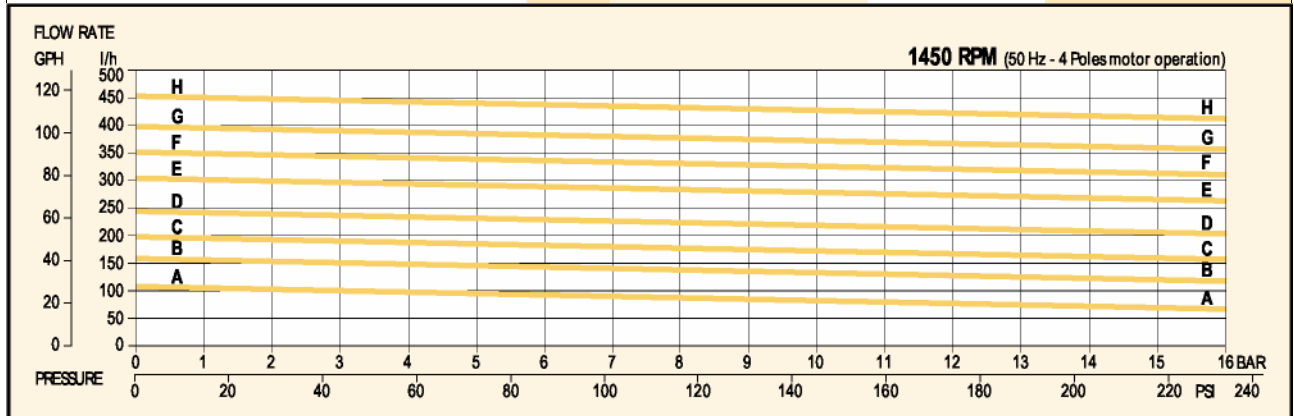
Main applications

- Soda circulation in post-mix drink dispensers
- Cooling systems
- Reverse osmosis
- Ultra-filtration

Stainless steel rotary vane pumps

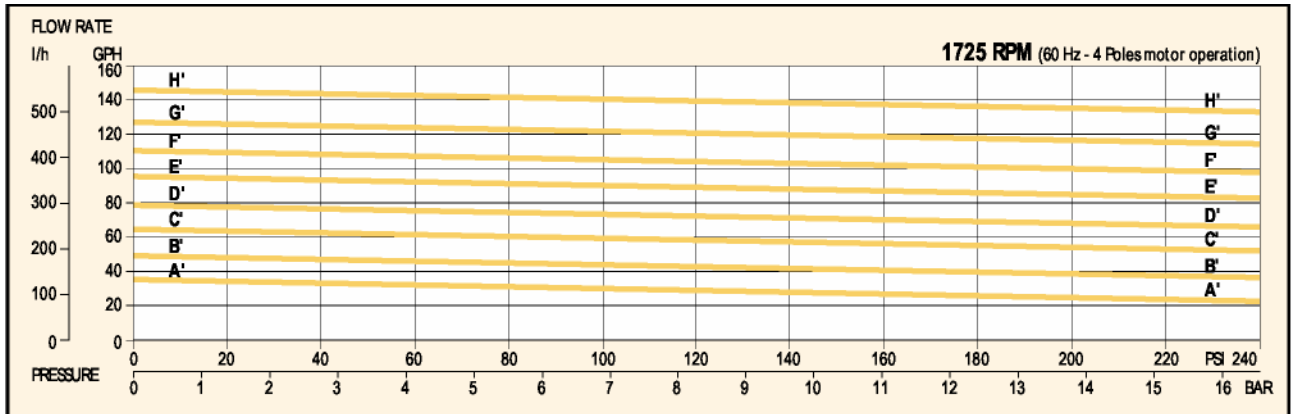
MODEL PO/PA	0710	0711	0711F	110	111	111F	1510	1511	1511F	210	211	211F	
Flow (l/h) at 2 BAR		100			150			190			236		
Flow (l/h) at 7 BAR		89			139			179			225		
Flow (l/h) at 14 BAR		70			120			160			206		
Figure		A-A			B-B			C-C			D-D		
Mount	Clamp	Clamp	Flange	Clamp	Clamp	Flange	Clamp	Clamp	Flange	Clamp	Clamp	Flange	
By-Pass	NO	YES	YES	NO	YES	YES	NO	YES	YES	NO	YES	YES	

MODEL PO/PA	2510	2511	2511 F	310	311	311 F	3500	3501	3511 F	410	411	411 F	
Flow (l/h) at 2 BAR		295			345			390			445		
Flow (l/h) at 7 BAR		284			334			379			434		
Flow (l/h) at 14 BAR		265			315			360			415		
Figure		E-E			F-F			G-G			H-H		



MODEL PO/PA	0710	0711	0711F	110	111	111F	1510	1511	1511F	210	211	211F	
Flow (GPH) at 20 PSI		34			49			64			78		
Flow (GPH) at 100 PSI		30			45			60			74		
Flow (GPH) at 200 PSI		24			39			54			68		
Figure		A'-A'			B'-B'			C'-C'			D'-D'		
Mount	Clamp	Clamp	Flange	Clamp	Clamp	Flange	Clamp	Clamp	Flange	Clamp	Clamp	Flange	
By-Pass	NO	YES	YES	NO	YES	YES	NO	YES	YES	NO	YES	YES	

MODEL PO/PA	2510	2511	2511 F	310	311	311 F	3500	3501	3511 F	410	411	411 F	
Flow (GPH) at 20 PSI		95			111			127			144		
Flow (GPH) at 100 PSI		91			107			123			140		
Flow (GPH) at 200 PSI		85			101			117			134		
Figure		E'-E'			F'-F'			G'-G'			H'-H'		



Pump weight: 1,1 kg / 2.5 Lbs (clamp mount) 1,2 kg / 2.7 Lbs (flange mount) - Characteristics at constant motor speed, water at 20°C / 68°F and by-pass blocked