

Firetrol Battery Charger Replacement Kits

ASCO Power
Technologies®


EMERSON™
Network Power

Firetrol Battery Charger Replacement Kits

Purpose: to provide a retro fit assembly for the now-obsolete battery chargers used from the early 1980's to early 2000's in all Firetrol Diesel Engine Fire Pump Controllers.

Firetrol Battery Charger Replacement Kits

Two kits available:

- **KAS-2001-002, for all 12 volt applications (Lead Acid and NiCad batteries). Replaces CG-0655 battery chargers.**
- **KAS-2001-003, for all 24 volt applications (Lead Acid and NiCad batteries). Replaces CG-0652 battery Chargers.**

Firetrol Battery Charger Replacement Kits

What's included?

- **(2) Transformers**
- **(2) Battery Charger Assemblies**
- **(2) Wiring Harness Assemblies**
- **All necessary hardware and adapters**
- **Instructions**

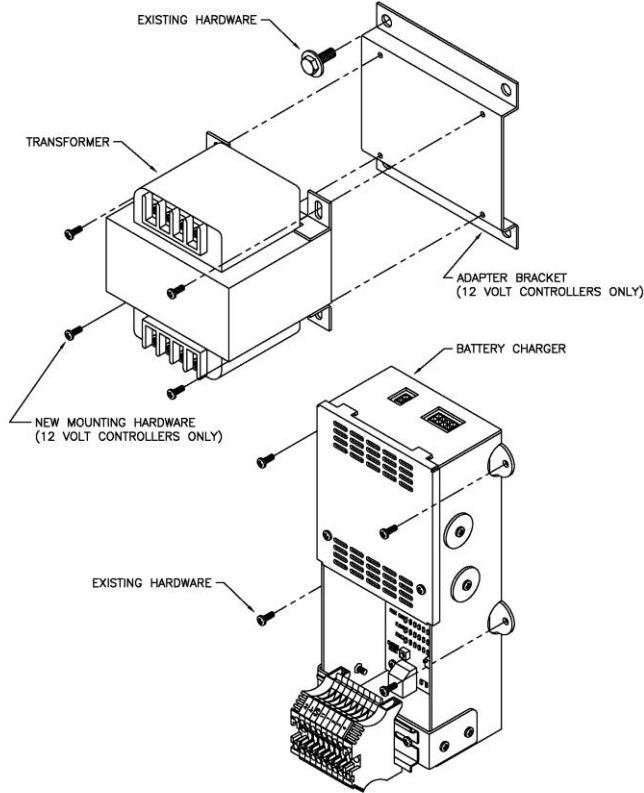
Firetrol Battery Charger Replacement Kits

What's required:

- **Removal or existing transformers and chargers**
- **Installation of new transformers and chargers, use existing mounting holes and hardware.**
- **Connecting transformer wiring**
- **Connecting charger output wiring**

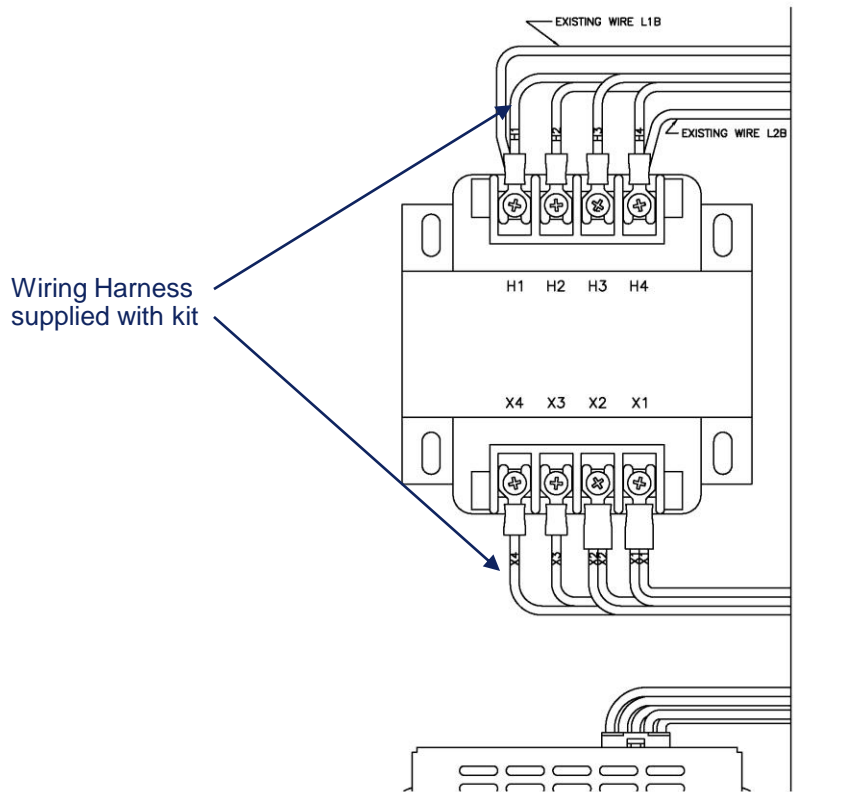
Firetrol Battery Charger Replacement Kits

Typical Mounting



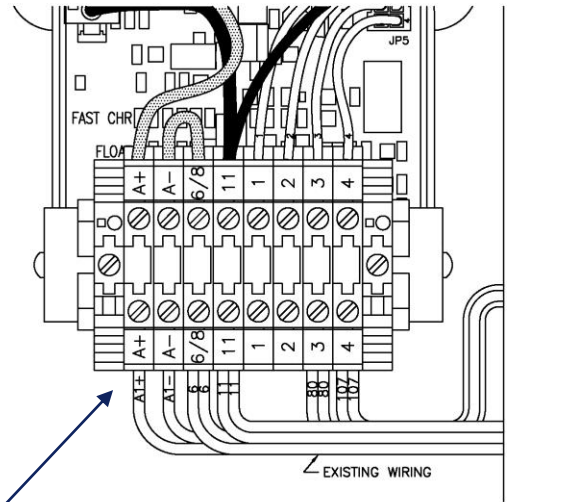
Firetrol Battery Charger Replacement Kits

Typical Transformer Connections



Firetrol Battery Charger Replacement Kits

Typical Charger Connections



Terminal Block markings match existing numbers