

Braking Devices VersiBrake [36A] 3.07

Features:

- ▣ DC Braking with one-way rectification
- ▣ controlled by microcontroller
- ▣ suitable for all asynchronous motors
- ▣ easy mounting, also for retrofitting into existing plants
- ▣ wear-resistant and maintenance-free
- ▣ special voltages up to 575V with Option „B“
- ▣ for snap-mounting onto 35mm top-hat-rail
- ▣ degree of protection IP 20



**Braking Devices
VB [36A]**
CE

Function:

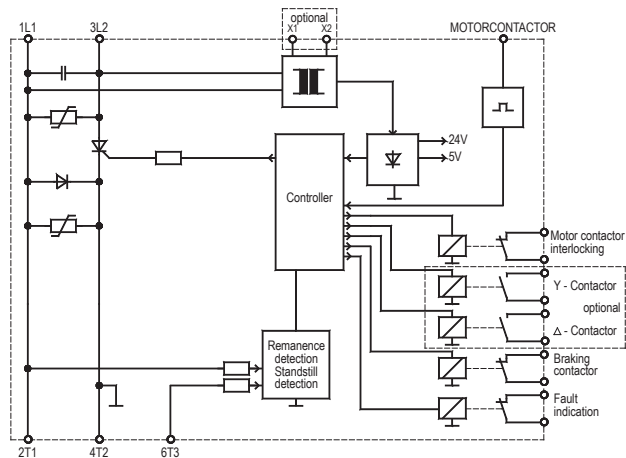
- ▣ control via motor contactor
- ▣ standstill detection
- ▣ braking current limited to rated device current
- ▣ remanence time optimization
- ▣ braking current infinitely adjustable
- ▣ potential-free output for motor contactor interlocking during braking
- ▣ potential-free output for fault signalling relay
- ▣ potential-free output for braking contactor
- ▣ temperature monitoring of power module

Typical Applications:

- saws
- conveyors
- woodworking machines
- grinding machines
- other

Options: (upon request)

- ▣ star-delta starting control (D)
- ▣ wide-voltage-range 200...575V (B)
- ▣ control voltage of 24VAC or 230VAC (please note on order)



Type designation		VB 230-36 VB 400-36
rated device current		36A
mains voltage according to DIN EN 50160 (IEC 38)	VB 230 ... 220/240V ±10% 50/60Hz VB 400 ... 380/415V ±10% 50/60Hz	option „B“ 200...575V ±10% 50/60Hz
order number	230V 400V	21900.23036 21900.40036

Please observe supplementary sheet with dimensioning rules!

Technical data	VB 230-36		VB 400-36	
mains voltage according to DIN EN 50160 (IEC 38)	VB 230 ...	220/240V ±10%	50/60Hz	option „B“
	VB 400 ...	380/415V ±10%	50/60Hz	200...575V ±10% 50/60Hz
power draw of electronics	6 VA			
recommended for rated motor current up to	17A			
rated device current	36A			
c.d.f. at max. braking current	5%			
I ² t-value power semiconductors in A ² s	1050			
braking voltage	0 ... 130VDC bei 220/240V 0 ... 220VDC bei 380/415V			
max. braking time	15s (other times upon request)			
contact rating of output relay	6A/250VAC; 6A/30VDC			
delay time for reduction of residual e.m.f.	self-optimizing (100 ... 2500ms)			
max. cross-sectional area	2x 2,5mm ² per terminal			
ambient / storage temperature	0°C ... 45°C / -25°C ... 75°C			
weight / kg	1			

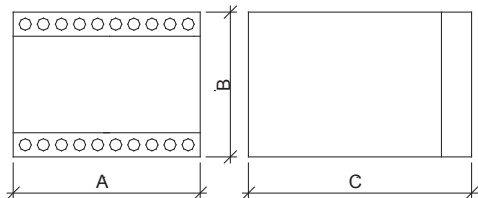
Note:

Please pay attention and consider for the operation of IE3 motors while dimensioning of softstarters and dc brakes the resulting higher starting and braking currents.

For the use of IE3 motors we highly recommend to dimension and design the needed softstarters and braking devices one size higher.

Dimensions:

VB 230-36
VB 400-36



Mounting dimensions	A (mm)	B (mm)	C (mm)
VB ... - 36	100	73	120

Connection Diagram: