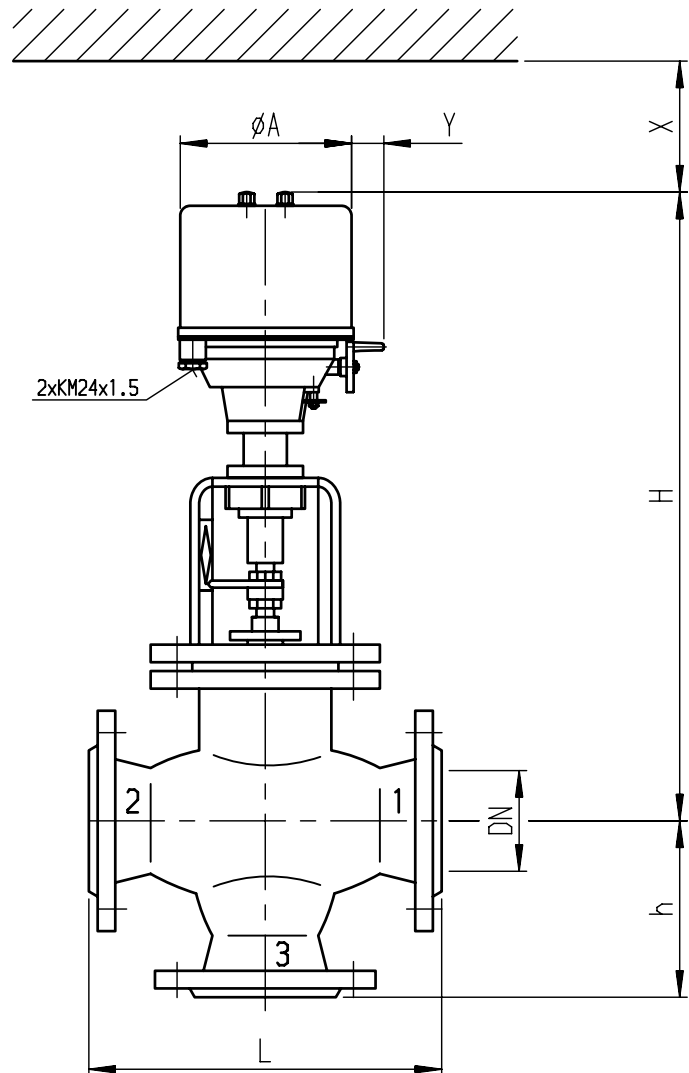


Einbau:

Ventil nur mit Antrieb nach oben einbauen.
 Andere Einbaulagen bitte bei Anfrage / Bestellung angeben !

Installation:

The actuator of valves shall be mounted upwards. Please, indicate other built-in situations with inquiry / order !



Flansch nach Anforderung
 FLANGE DRILLING ACC. TO REQUEST

| DN | 15 | 20 | 25 | 32 | 40 | 50 | 65 | 80 | 100 | 125 | 150 | 175 | 200 | 250 | 300 | 350 | 400 |
|---|------------|-----|------|------|-----|-----|------|------|------|------|-----|------|------|------|------|------|------|
| Antrieb 1.2 kN / DRIVE 1.2 kN P max. bar | 9.4 | 9.4 | 9.4 | 5.8 | 5.2 | 3.4 | 1.9 | 1.2 | - | - | - | - | - | - | - | - | - |
| Antrieb 4.5 kN / DRIVE 4.5 kN P max. bar | - | - | 55.4 | 35.8 | 32 | 21 | 12.7 | 8.4 | 5.5 | 3.4 | 2.4 | 1.8 | - | - | - | - | - |
| Antrieb 12 kN / DRIVE 12 kN P max. bar | - | - | - | - | - | - | 35.5 | 23.3 | 15.5 | 9.7 | 6.8 | 5 | 3.8 | 2 | 1.3 | - | - |
| Antrieb 24 kN / DRIVE 24 kN P max. bar | - | - | - | - | - | - | - | - | 31.3 | 19.8 | 14 | 10.3 | 7.9 | 4.0 | 2.8 | 2 | 1.5 |
| L | 130 | 150 | 160 | 180 | 200 | 230 | 290 | 310 | 350 | 400 | 480 | 550 | 600 | 730 | 850 | 980 | 1100 |
| H | 1.2 kN | 514 | 514 | 514 | 541 | 541 | 541 | 624 | 624 | - | - | - | - | - | - | - | - |
| | 4.5 kN | - | - | 514 | 541 | 541 | 541 | 624 | 624 | 624 | 717 | 742 | 787 | - | - | - | - |
| | 12 kN | - | - | - | - | - | - | 702 | 702 | 724 | 795 | 820 | 865 | 900 | 948 | 978 | - |
| | 24 kN | - | - | - | - | - | - | - | - | - | 949 | 974 | 1019 | 1054 | 1102 | 1132 | 1206 |
| h | 172 | 172 | 172 | 197 | 197 | 197 | 145 | 155 | 175 | 200 | 240 | 275 | 300 | 455 | 530 | 595 | 600 |
| A | 1.2+4.5 kN | 170 | 170 | 170 | 170 | 170 | 170 | 170 | 170 | 170 | 170 | 170 | - | - | - | - | - |
| | 12 kN | - | - | - | - | - | - | 188 | 188 | 188 | 188 | 188 | 188 | 188 | 188 | 188 | - |
| | 24 kN | - | - | - | - | - | - | - | 216 | 216 | 216 | 216 | 216 | 216 | 216 | 216 | 216 |
| Y | 1.2+4.5 kN | 42 | 42 | 42 | 42 | 42 | 42 | 42 | 42 | 42 | 42 | 42 | - | - | - | - | - |
| | 12+24 kN | - | - | - | - | - | 62 | 62 | 62 | 62 | 62 | 62 | 62 | 62 | 62 | 62 | 62 |
| X | 1.2+4.5 kN | 130 | 130 | 130 | 130 | 130 | 130 | 130 | 130 | 130 | 130 | 130 | - | - | - | - | - |
| | 12 kN | - | - | - | - | - | - | 140 | 140 | 140 | 140 | 140 | 140 | 140 | 140 | 140 | - |
| | 24 kN | - | - | - | - | - | - | - | 185 | 185 | 185 | 185 | 185 | 185 | 185 | 185 | 185 |

| | | | | | | |
|--|--------------|-------------|-------|------------------------|-------------|-------------|
| SUBJECT TO MODIFICATION / Änderungen vorbehalten | | | / | / | / | / |
| DIN A4 | DATE / Datum | NAME / Name | / | / | / | / |
| DRAWN / Gezeichnet | 24-APR-2008 | BANDT | / | / | / | / |
| APPROVED / Gepr. | 24-APR-2008 | KREISEL | INDEX | REVISIONS / Änderungen | DATE / Dat. | NAME / Name |