

ENCODER

Type: **IMG40S-.....-ABN-.....-S2-V3**



Description

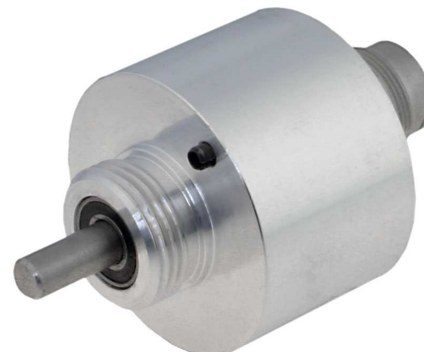
The **IMG40S** is a strong incremental encoder with screw-flange for the inset in the industry. The 40 mm diameter and the 6 mm axis of them make possible very hard wear.

The new developed optical electronics in this encoder guarantees with differential scanning the code-disk just so a high technical reliability.

Besides different pulse numbers and pulse series (up to 3 are realisable in one device) and operating voltage (10 Volt at TTL-compatibility), this **IMG40S** will deliver with 8-pole flanged plug (M16).

The **IMG40S** can be fixed in front by means of one M20 nut.

It is particularly qualified to be use with low and medium stress and high speeds.






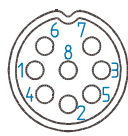
Technical Data

Mechanical features:

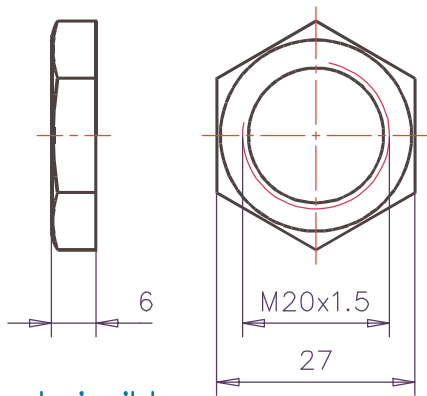
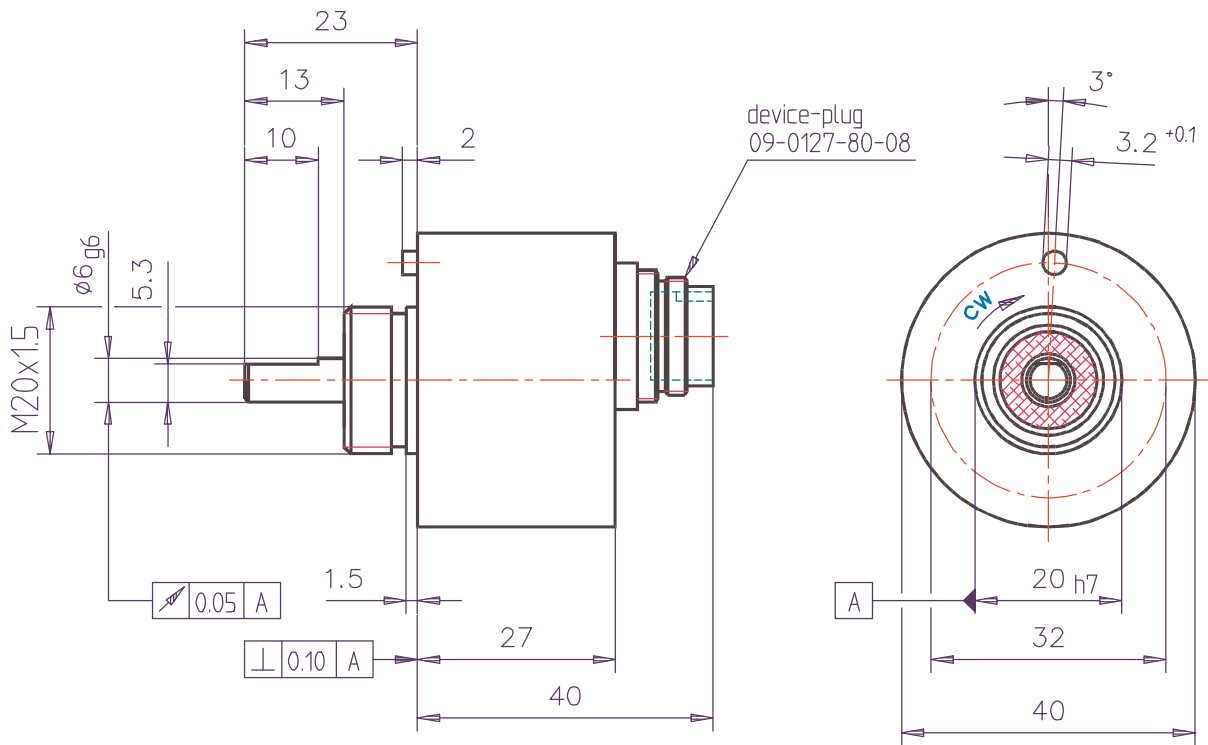
Bearing flange with housing:	Aluminium solid (high-grade steel on inquiry)
Shaft:	Steel (stainless)
Diameter housing:	40 mm
Diameter flange:	40 mm
Diameter shaft:	6 mm
Working temperature:	0 ÷ +80 °C (-30 ÷ +110 °C on inquiry)
Climate class (IEC 721-3-3):	3K3 Type B
Relative moisture:	≤ 75 % on average one year max. ≤ 85 %
Protection class (EN 60529):	IP64
Mechanical speed:	max. 10000 min ⁻¹
Loading capacity of the shaft:	max. 10 N axial max. 20 N radial
Starting torque:	0.15 Ncm (at 25 °C)
Vibration (IEC 68-2-6):	≤ 50 m/s ² ≈ 5 g (at 10-2000 c/s)
Impact (IEC 68-2-27):	≤ 50 m/s ² ≈ 5 g (during 6 ms)
Masse:	96 g

Electrical features:

Operating voltage:	5 Volt DC ±10% »IT«	10 ÷ 24 Volt DC ±10 % »TI«
Residual ripple:	50 mVss	100 mVss
Current input:	≤ 50 mA (unloaded)	≤ 50 mA (unloaded)
Output circuit:	TTL; RS422 compatible	HTL
Output load:	80 mA	80 mA
Output signals:	Channel A:  Channel B:  Channel N: 	Impulse duration T = vibration duration T = 2π = 360°. 90° Phase offset from channel B to channel A. Impulse tolerance ±20°. Impulse-break-proportion 1:1.
(With view on shaft and turn cw)		
Pulse numbers per turn:	max. 3600	
Output frequency:	max. 200 kc/s	
Type of connection:	axial 8-pole plug	

Function	Pin	Colour	Pin arrangement
+U _B	4	brown	 <p>View on pin side</p>
0 Volt	2	white	
Channel A	3	green	
Channel A inv.	5	yellow	
Channel B	1	grey	
Channel B inv.	6	pink	
Channel N	7	blue	
Channel N inv.	8	red	

Copy this drawing, use and information the contents from this, is not permit, as far as not explicit entitled. Acts contrary to oblige to damage. All rights reserved in case the patent-licence or application-entry.



admissible torque specification
 $T_{Azul.} = 5Nm$

		general tolerance DIN 7168-m		surface DIN ISO 1302 line 1		scale 1:1		weight 96g	
						material			
				date 06.02.03	name B. Kruse	IMG40S-____-ABN-___-S2-V3			
				adapter	check norm.				
				Drehimpulsgeber GmbH 50259 Pulheim		00.7-0018064		sheet 2 2 sheets	
state	change	date	Nam.	origin	in replacement's		replace by.		