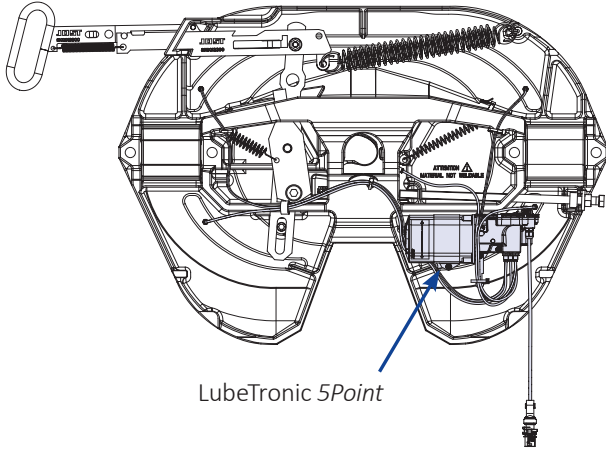


LubeTronic 5Point

Advantages at a glance

- Reduction of operational costs
- Less environmental impact



LubeTronic 5Point

Technical Features

- Fifth wheel coupling with central lubrication system
- The constantly emitted grease provides reliable lubrication for the fifth wheel coupling plate and the lock jaw.
- Filled with JOST high-performance grease
- Electronic fill level control with an LED display
- Sufficient lubricant for about 1 year
- Lubricant dispensing intervals can be set for long distance transport and site traffic.
- Refillable using lubricating nipples

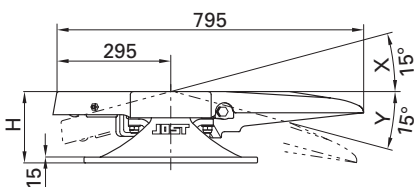
Only JOST lubricant refill is to be used to ensure safe operation in all operating conditions!
The guarantee excludes the use of other types of grease!



Selection table / Versions available

JSK 37

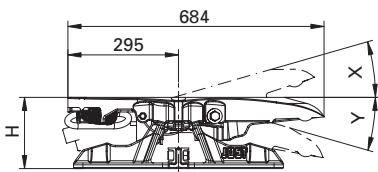
Order No.	H (mm)	D value (kN)	Imposed load U (t)	Weight (kg)	Customer hole pattern	Approval (ECE)	ZL	Version
JSK 37 C0 20 U3 AA	150	152	20	150.4	DIN	E1 55R-01 0116	J	Standard
JSK 37 C0 38 U3 AA	185	152	20	155.6	DIN	E1 55R-01 0116	J	Standard
JSK 37 C0 70 U3 AA	250	152	20	170.8	DIN	E1 55R-01 0116	J	Standard
JSK 37 C0 20 DO CL	150	152	20	150.0	DIN	E1 55R-01 0116	K	MAN
JSK 37 C0 38 DO CL	185	152	20	155.0	DIN	E1 55R-01 0116	K	MAN
JSK 37 C0 70 DO CL	250	152	20	170.0	DIN	E1 55R-01 0116	K	MAN
JSK 37 C0 20 BG EE	150	152	20	150.0	DIN	E1 55R-01 0116	J	Mercedes-Benz
JSK 37 C0 38 BG EE	185	152	20	155.0	DIN	E1 55R-01 0116	J	Mercedes-Benz
JSK 37 C0 20 T9 AI	150	152	20	150.0	DIN	E1 55R-01 0116	K	Volvo/Renault
JSK 37 C0 38 T9 AI	185	152	20	155.0	DIN	E1 55R-01 0116	K	Volvo/Renault



Selection table / Versions available

JSK 42 – DIN

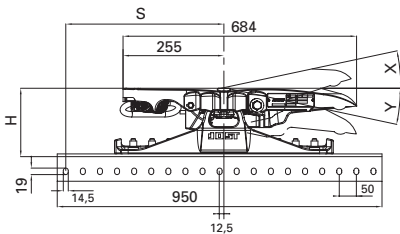
Order No.	H (mm)	X	Y	D value (kN)	Imposed load U (t)	Weight (kg)	Customer hole pattern	Approval (ECE)	ZL	Version
JSK 42 K0 20 U3 AA	150	12°	12°	152	20	131	DIN	E1 55R-01 1245	J	Standard
JSK 42 K0 38 U3 AA	185	15°	15°	152	20	129	DIN	E1 55R-01 1245	J	Standard
JSK 42 K0 57 U3 AA	225	15°	15°	152	20	133	DIN	E1 55R-01 1245	J	Standard
JSK 42 K0 20 DO CL	150	12°	12°	152	20	131	DIN	E1 55R-01 1245	K	MAN
JSK 42 K0 38 DO CL	185	15°	15°	152	20	129	DIN	E1 55R-01 1245	K	MAN
JSK 42 K0 70 DO CL	250	15°	15°	152	20	138	DIN	E1 55R-01 1245	K	MAN
JSK 42 K0 20 BS BB	150	12°	12°	152	20	131	DIN	E1 55R-01 1245	J	Mercedes-Benz
JSK 42 K0 38 BS BB	185	15°	15°	152	20	129	DIN	E1 55R-01 1245	J	Mercedes-Benz
JSK 42 K0 20 G1 AI	150	12°	12°	152	20	131	DIN	E1 55R-01 1245	K	Volvo/Renault
JSK 42 K0 38 G1 AI	185	15°	15°	152	20	129	DIN	E1 55R-01 1245	K	Volvo/Renault



Selection table / Versions available

JSK 42 K8 (Volvo)

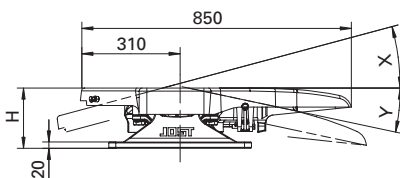
Order No.	H (mm)	X	Y	Fifth wheel position S	D value (kN)	Imposed load U (t)	Weight (kg)	Customer hole pattern	Approval (ECE)	ZL	Version
JSK 42 K8 21 F8 AI	160	8°	11°	437.5	152	20	148	F	E1 55R-01 1245	K	Volvo
JSK 42 K8 21 F7 AI	160	8°	11°	462.5	152	20	148	E	E1 55R-01 1245	K	Volvo
JSK 42 K8 44 F8 AI	200	17°	16°	437.5	152	20	155	F	E1 55R-01 1245	K	Volvo
JSK 42 K8 44 F7 AI	200	17°	16°	462.5	152	20	155	E	E1 55R-01 1245	K	Volvo
JSK 42 K8 58 F8 AI	230	24°	23°	437.5	152	20	160	F	E1 55R-01 1245	K	Volvo
JSK 42 K8 58 F7 AI	230	24°	23°	462.5	152	20	160	E	E1 55R-01 1245	K	Volvo



Selection table / Versions available

JSK 38

Order No.	H (mm)	X	Y	D value (kN)	Lock	Imposed load U (t)	Weight (kg)	Approval (ECE)	ZL	Version
JSK 38 C0 40 T8 AA	190	15°	12°	170	2"	28	202.5	E1 55R-01 0472	K	Standard
JSK 38 C0 40 T7 AA	190	15°	12°	260	3½"	36	202.0	E1 55R-01 0471	K	Standard
JSK 38 C0 40 DO CL	190	15°	12°	170	2"	28	202.5	E1 55R-01 0472	K	MAN
JSK 38 C0 40 DP CL	190	15°	12°	260	3½"	36	202.0	E1 55R-01 0471	K	MAN
JSK 38 C0 70 Q8 AA	250	15°	12°	260	3½"	36	202.0	E1 55R-01 0471	K	MAN
JSK 38 C0 40 BW BB	190	15°	12°	170	2"	28	202.5	E1 55R-01 0472	K	Mercedes-Benz
JSK 38 C0 40 BV BB	190	15°	12°	260	3½"	28	202.5	E1 55R-01 0471	K	Mercedes-Benz
JSK 38 C0 70 BW BB	250	15°	12°	170	2"	28	202.0	E1 55R-01 0472	K	Mercedes-Benz
JSK 38 C0 70 BV BB	250	15°	12°	260	3½"	28	202.0	E1 55R-01 0471	K	Mercedes-Benz



Also available for additional models in the
JSK 37 • JSK 38 • JSK 42 series

LubeTronic 5Point

Spare parts



Item	Description	Version*	Remark	Order No.
01	LubeTronic 5Point	SK 0xxxx00, SK 0xxxx04	MAN version, compl. with fixing kit and 03, for JSK 37 C, JSK 42	SKE010790700
	LubeTronic 5Point	SK 0xxxx01	MAN version, compl. with fixing kit and 03, for JSK 38 C	SKE010790800
	LubeTronic 5Point	SK 0xxxx03, SK 0xxxx05	Volvo version, compl. with fixing kit and 03, for JSK 37 C, JSK 42	SKE006250310
	LubeTronic 5Point	SK 0xxxx15	JOST-"Standard"/Mercedes-Benz version, compl. with fixing kit and 03, for JSK 37 C, JSK 42	SKE010791500
	LubeTronic 5Point	SK 0xxxx16	JOST-"Standard"/Mercedes-Benz version, compl. with fixing kit and 03, for JSK 38 C	SKE010791600
02	Connection cable		For LubeTronic 5Point JOST-"Standard"	SKE005680100
03	Lubrication line 1,6 m		Fits all LT5Ps	SKE006620200
04	JOST High Performance Lubricant		Refill set, 2 cartridges á 400 g	SKE005670000
05	JOST High Performance Lubricant		Large barrel, 25 kg barrel	SKE007090000
06	Push-in fitting		5x	NTE003030000

* When ordering, please state the design mounted on the vehicle.
You will find the design on the type plate of the lubrication pump.

** The model SK0040800 has been replaced. Please order SK 006250200 and connection cable SKE005680100.

Attention:
The retrofitting of standard fifth wheel couplings with LubeTronic 5Point ist not possible.

Technical Specification

Sensor coupling system in accordance with the ECE R55-01, TÜ.EGG.095-05, DIN 74081, ISO 3842, ECE R10 directives/standards. Suited for picking up 2" king pins (class G50) in accordance with ECE R55-01, DIN 74080, ISO 337 and steering wedges in accordance with ECE R55-01, DIN 74085.

**Did you know ...**

... that the **LubeTronic 5Point** relubrication system may only be operated with the biodegradable JOST high-performance lubricant (available in 2 x 400 g cartridges (JOST Order no.: SKE013440000) or in the 25 kg barrel (JOST item no.: SKE013430000)? The fully-synthetic lubricant is particularly temperature-resistant (between -20°C and $+80^{\circ}\text{C}$) and adheres particularly well to metal surfaces, thus guaranteeing that LubeTronic 5Point functions correctly. The guarantee excludes the use of other types of grease!