

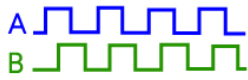


# EHG

## Shaft Type Encoder



### Electrical

Detection System	Incremental
Power Source	DC 5V, 8 ~ 24V
Current Consumption	80 mA or below
Response Frequency	150 KHz
Output Voltage	VoH: Vcc - 0.7V, VoL: 0.5V
Output Phase	A, B
Output Wave Form	
Output Mode	voltage output , open collector push pull

### Connection

Red	Black	White
+	-	A
Green	Shield	
B		

### Application

- Industry Machine

### Feature

- General Type
- Collar Mounting

### Resolution

1, 2, 3, 4, 5, 10, 12, 20, 25, 30, 50, 60, 64, 100, 120, 128, 200, 250, 256, 300, 360, 400, 500, 512, 600, 720, 800, 1000, 1024, 1200, 1250, 1500, 1800, 2000, 2048 P/R

### Mechanical Spec.

Shaft Diameter	Φ6 , Φ8 mm
Starting Torque	0.5 Ncm
Shaft Loading	Radial: 125N Axial: 70 N
Max. R.P.M.	6000
Net Weight	400g

### Environmental Spec.

Operating Temp.	-10 ~ +70°C
Storage Temp.	-20 ~ +80°C
Operating Humidity	RH 85% max non-collecting
Shock	490 m/s <sup>2</sup> , 3Dx2 times
Vibration	0.6mm, 10~55KHz, 3Dx30min.
Protection	IP 64



# EHG

Shaft Type Encoder

## Ordering Information

**E H G - [ ] [ ] [ ] [ ] - [ ] 6 [ ] [ ] - [ ] 0 1 5**

Resolution			
1	1 P/R	256	256 P/R
2	2 P/R	300	300 P/R
3	3 P/R	360	360 P/R
4	4 P/R	400	400 P/R
5	5 P/R	500	500 P/R
10	10 P/R	512	512 P/R
12	12 P/R	600	600 P/R
20	20 P/R	720	720 P/R
25	25 P/R	800	800 P/R
30	30 P/R	1000	1000 P/R
50	50 P/R	1024	1024 P/R
60	60 P/R	1200	1200 P/R
64	64 P/R	1250	1250 P/R
100	100 P/R	1500	1500 P/R
120	120 P/R	1800	1800 P/R
128	128 P/R	2000	2000 P/R
200	200 P/R	2048	2048 P/R
250	250 P/R		

**Phase**  
Y: AB

**Wiring entry**  
A: axis

**Shaft diameter**  
6: 6mm  
8: 8mm

**Output mode**  
V: Voltage output  
O: Open collector  
P: Push pull

**Power Source**  
T: TTL 5V  
H: High voltage 8~24V

**Cable length**  
015: 1.5M  
030: 3M  
050: 5M

## Mechanical Drawing

