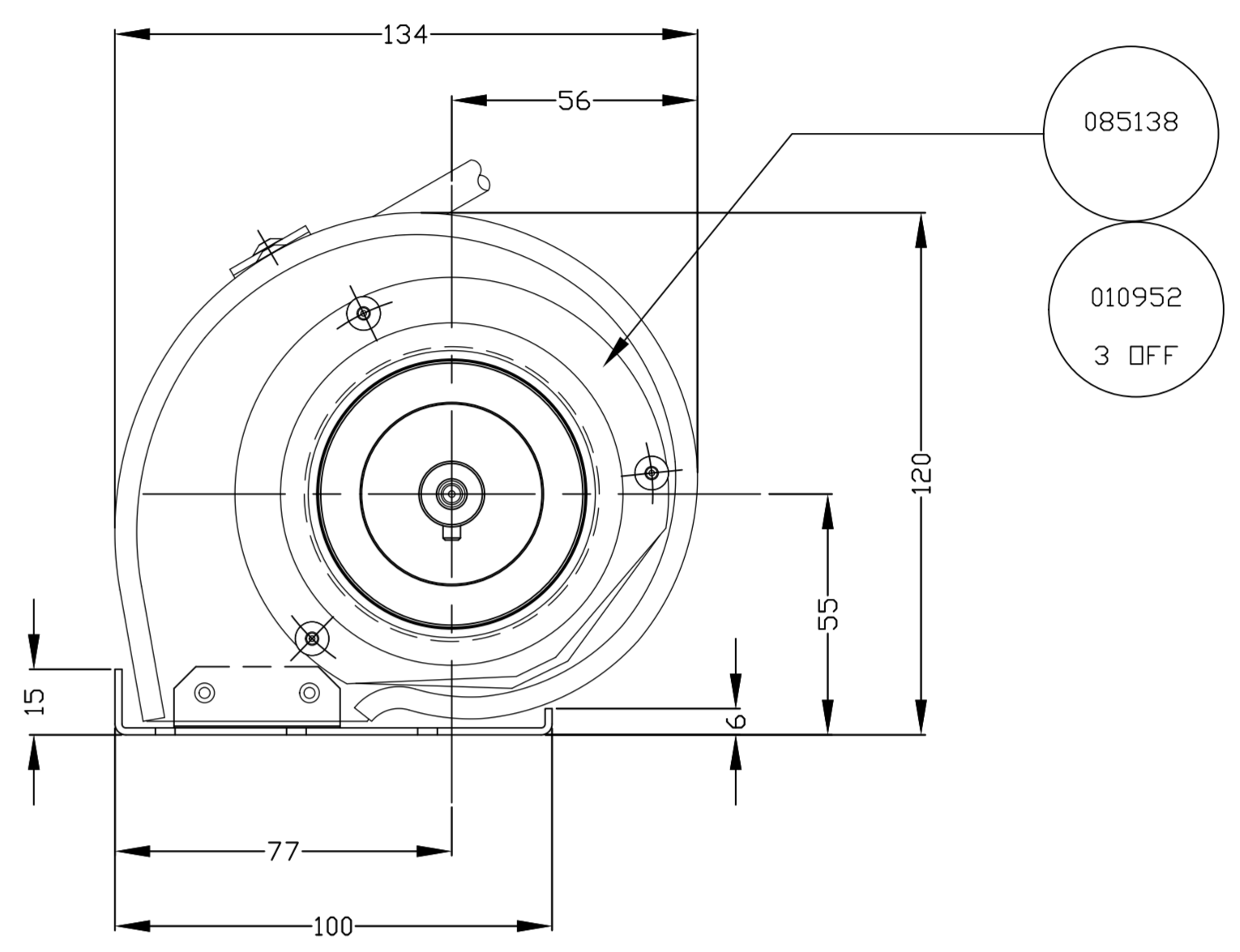
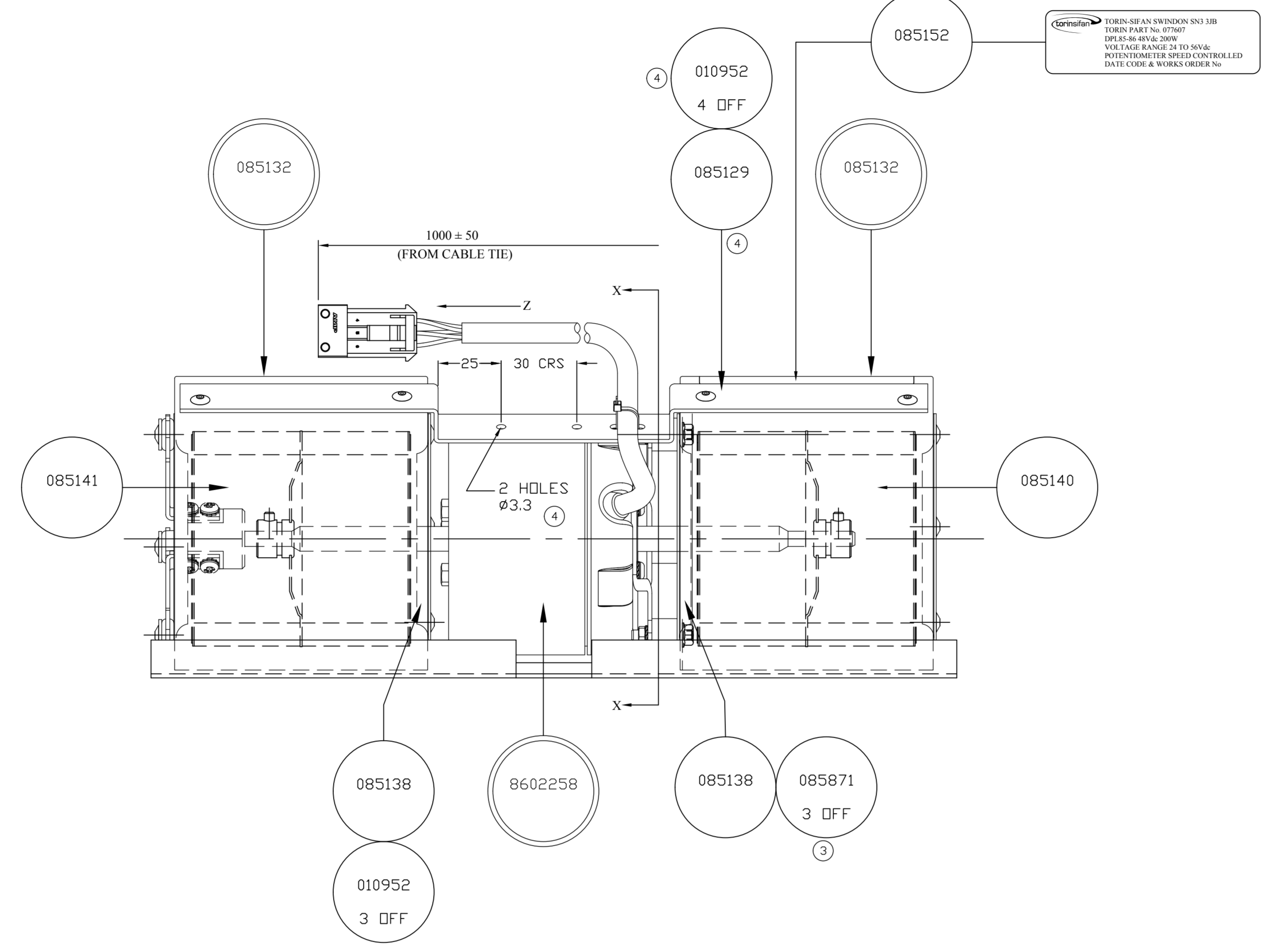
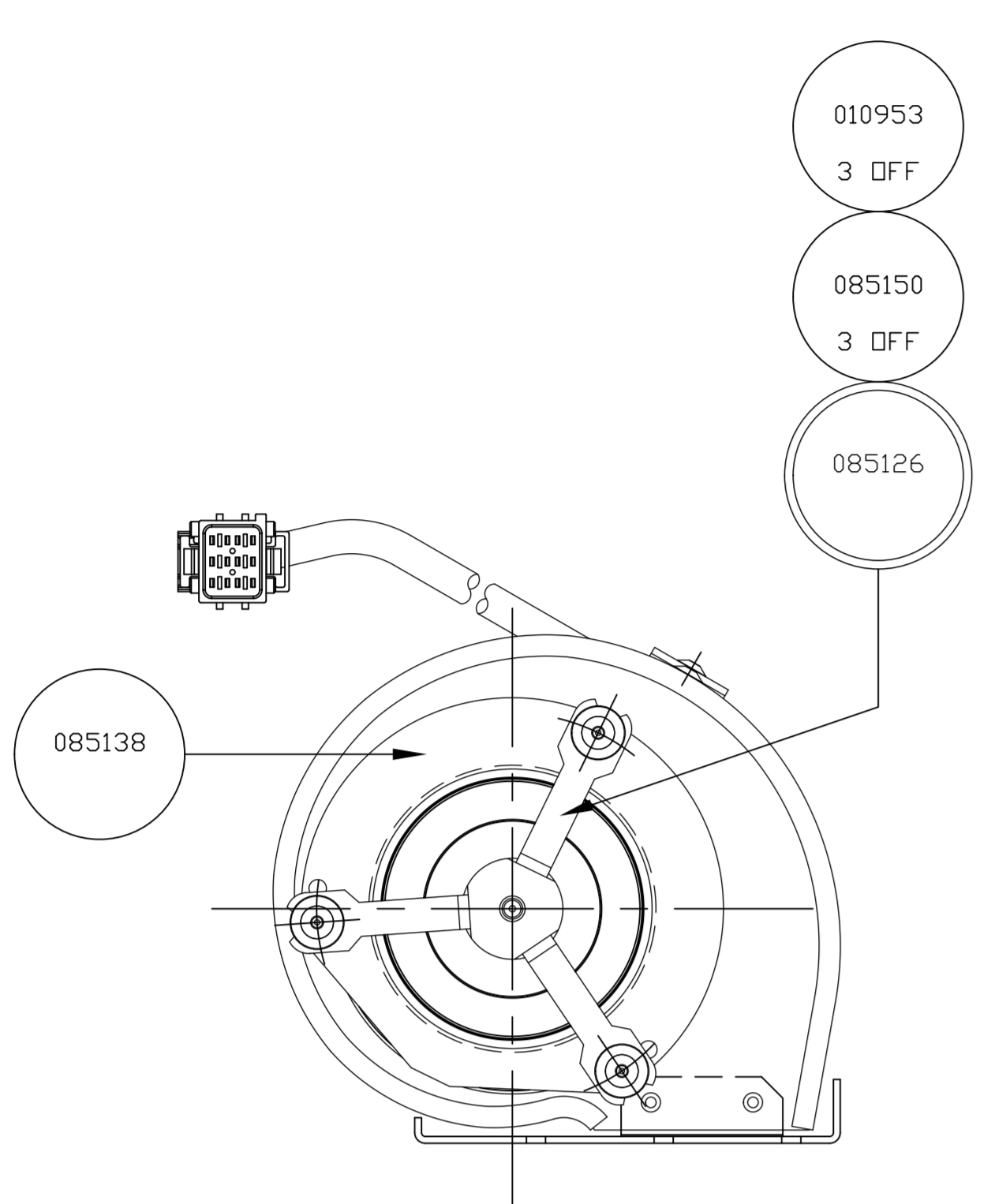


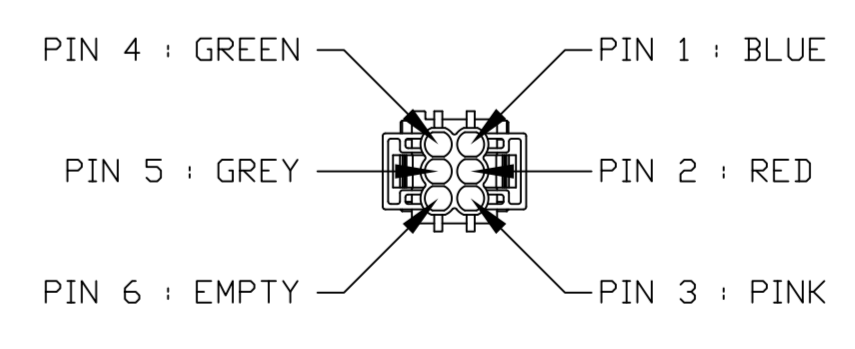
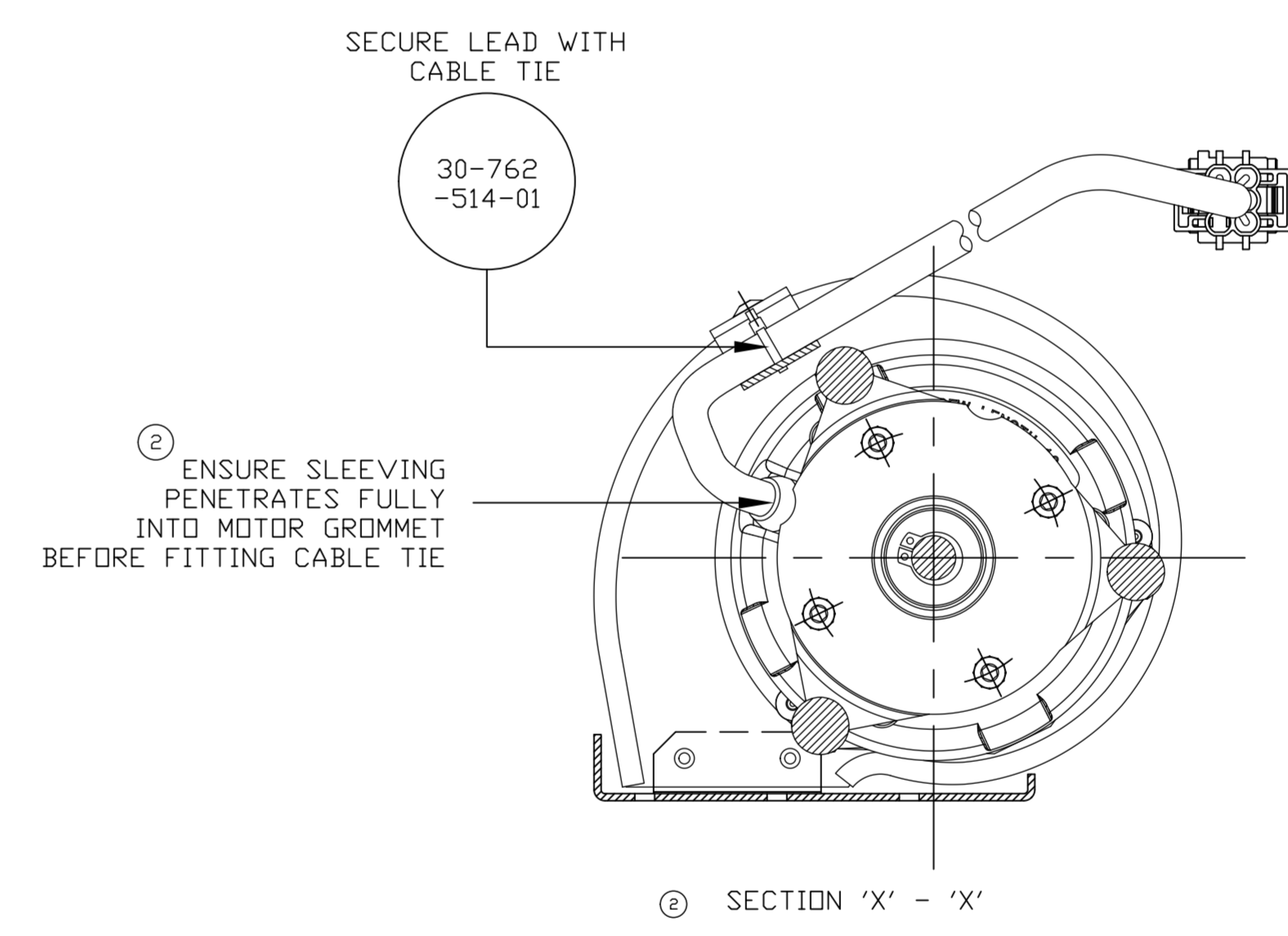
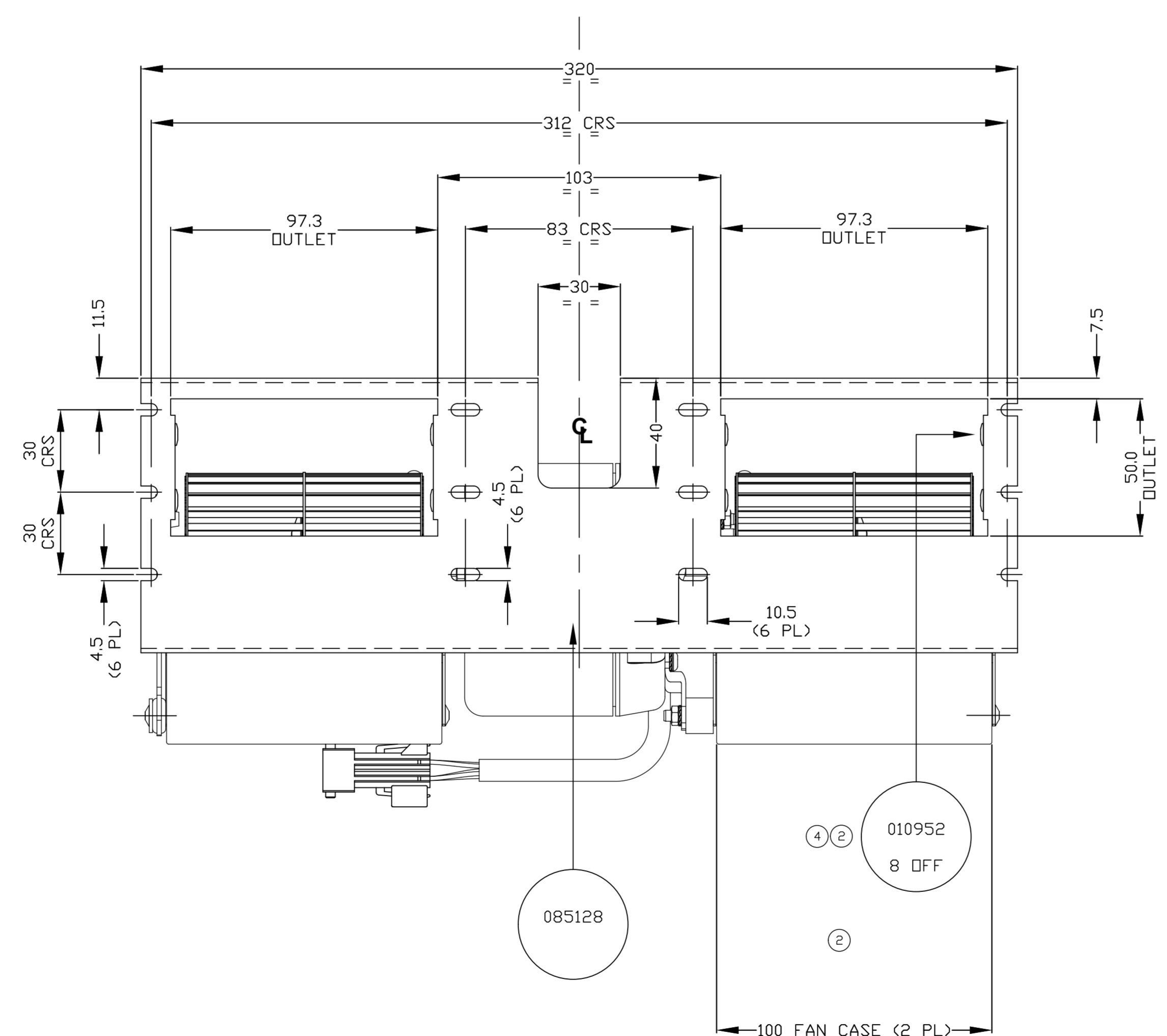
DRAWING NO.  
**077607**

1  
2  
3  
4  
5  
6  
7  
8



**NOTES:**

- ELECTRICAL DETAILS:**  
NOMINAL SUPPLY VOLTAGE 48VDC (24 TO 56VDC RANGE).  
MAXIMUM OPERATING CURRENT 4.0A (REFER TO GRAPH G10380 FOR PERFORMANCE CHARACTERISTIC).  
MOTOR HAS REVERSE POLARITY PROTECTION TO PREVENT INCORRECT CONNECTION. CONSIDERATION SHOULD BE GIVEN TO ESD (ELECTROSTATIC DISCHARGE) GUIDELINES WHEN HANDLING PRODUCT.
- AIR PERFORMANCE:**  
MAXIMUM AIRFLOW 600M3/HR WITH FAN OUTLET OPEN (0PA STATIC PRESSURE).  
MAXIMUM STATIC PRESSURE 620PA WITH THE FAN OUTLET FULLY CLOSED (0M3/HR AIRFLOW).  
TYPICAL OPERATING POINT 500M3/HR AIRFLOW AT 200PA STATIC PRESSURE (REFER TO PERFORMANCE CHARACTERISTIC G10380).
- MOTOR CHARACTERISTICS:**  
SOFT-START IS ACTIVATED FOR A PERIOD OF 8 SECONDS FROM SWITCH-ON, LIMITING POWER DURING START-UP.  
SPEED IS CONTROLLED VIA AN EXTERNAL 10K POTENTIOMETER (3 CONNECTIONS, ORANGE=POT+, GREY=POT-, GREEN=POT OUTPUT), WITH FAN SPEED CONTROL CHARACTERISTIC AS PER GRAPH G10381 (WITH FAN OUTLET OPEN). MINIMUM OPERATING SPEED IS 2000RPM (AT 48VDC NOMINAL SUPPLY).  
MOTOR IS PROTECTED AGAINST LOCKED ROTOR CONDITION WITH POWER BEING DISENGAGED FOR A PERIOD OF 1 SECOND AFTER WHICH THE MOTOR WILL ATTEMPT TO RESTART. THIS CYCLE IS REPEATED UNTIL THE CONDITION IS CLEARED.
- ENVIRONMENTAL PARAMETERS:**  
OPERATING TEMPERATURE RANGE -40°C TO +60°C, STORAGE TEMPERATURE RANGE -40°C TO +80°C, HUMIDITY RANGE 5% TO 90% REL. HUMIDITY NON-CONDENSING. MOTOR DRIVE IS MOISTURE PROTECTED.
- GENERAL INFORMATION:**  
MATERIALS: FAN CASINGS AND DECK GALVANIZED SHEET STEEL, BEARING HOUSINGS AND IMPELLERS ALUMINIUM ALLOY, SHAFT STAINLESS STEEL, ANTI-VIBRATION MOUNTS EPDM RUBBER / PVC, MOTOR ROTOR ZINC PLATED STEEL.  
BALANCE: MOTOR ASSEMBLY DYNAMICALLY BALANCED TO ISO 1940 G2.5 FOR SERVICE SPEED OF 4500RPM.  
CONNECTIONS: THE FAN IS CONNECTED VIA AMP CONNECTOR 1-962349-1, LEADS CRIMPED WITH AMP TERMINAL 1-963748-1 AND SEALED WITH WIRE SEAL 828904-1, (EMPTY POSITION SEALED WITH BLANKING SEAL 828922-1), HOUSING SEALED WITH SILICON SEALING PLATE 963205-1.  
LEADS POSITIONS: 1 = BLUE, 2 = RED, 3 = PINK, 4 = GREEN, 5 = GREY, 6 = EMPTY. SUPPLY LEADS: RED (+48VDC) AND BLUE (0VDC) 20AWG 300V UL STYLE 1007, POTENTIOMETER CONNECTIONS ORANGE (POTENTIOMETER POSITIVE), GREY (POTENTIOMETER NEGATIVE) AND GREEN (POTENTIOMETER OUTPUT) 24AWG 150V UL STYLE 3265. SLEEVING Ø6.5MM PVC 105°C.  
LEAD LENGTH 1.0M ±50MM MEASURED FROM CABLE-TIE POSITION.  
MAXIMUM WEIGHT 3.0KG. FANS TO BE PACKED IN INDIVIDUAL BOXES AND SUPPORTED TO PREVENT DAMAGE DURING TRANSIT.
- ALL DIMENSIONS ARE FOR REFERENCE PURPOSES ONLY.



VIEW ON ARROW 'Z'  
(BACK OF PLUG)  
CONNECTOR HOUSING:- AMP REF 1-962349-1  
CONNECTOR TERMINAL:- AMP REF 1-963748-1

| ISS. | MODIFICATION  | DATE     | C/N NO.  |
|------|---|----------|----------|
| 4    | RETAINING STRAP UPDATED 010952 WAS 010807                       | 18/02/13 | 18988    |
| 3    | 28-271-1050-24 AND 30-283-108-56 REPLACED BY 085871             | 3/2/12   | 18406    |
| 2    | PICT CHANGE'S 085871 REPLACES 085151 & 30-283-038-26 NOTE ADDED | 7/4/09   | 17718    |
| 1    | RELEASED FOR MANUFACTURE  | 3/12/08  | 17642    |
| B    | AMP PLUG ADDED  | 05/11/08 | EVR 1648 |
| A    | PROVISIONAL   | 19/08/08 | EVR 1607 |

**MATERIAL**  
GALVANISED STEEL  
ALUMINIUM IMPELLERS

**FINISH**  
NATURAL

**FIRST USED ON**

**SIMILAR TO**

**DIRECTORY PATH**  
\\ASYS\DPL\85-86\

**TITLE**  
**FINAL ASSEMBLY OF DPL85-86 48V dc 200W**

**DRAWING NO.**  
**077607**

**Torin Limited**  
Drakes Way  
The Partner of Choice Swindon Wiltshire  
SN3 3JB  
Tel : (01793) 524291

INFORMATION CONTAINED IN THIS DOCUMENT IS CONFIDENTIAL TO TORIN LIMITED AND MAY NOT BE DISCLOSED OR REPRODUCED IN WHOLE OR IN PART WITHOUT THEIR WRITTEN CONSENT.  
© TORIN LIMITED

PRODUCT TYPE: FANDECK  
TECH 1: AC  EC   
TECH 2: AC  BD  CP  DC  ECI  ECR   
ERP DIRECTIVE: N  
Ng/EN ARTICLE: A21

PROJECTION   
DRAWING GENERALLY CONFORMS TO BS 8888  
ALL BS TO LATEST ISSUE  
DR. I.A. DATE 19/8/08  
CHKD. DATE  
AP. DATE  
DIMENSIONS IN MILLIMETRES  
SCALE: 1:2 (UNLESS OTHERWISE STATED)

**A1**  
**109270**  
ON 9N1WAWR0