

## DDE

### DESCRIPTION

DDE are single acting rubber piston seals for hydraulic and pneumatic application. Assembled into closed grooves ensure an excellent sealing performance.

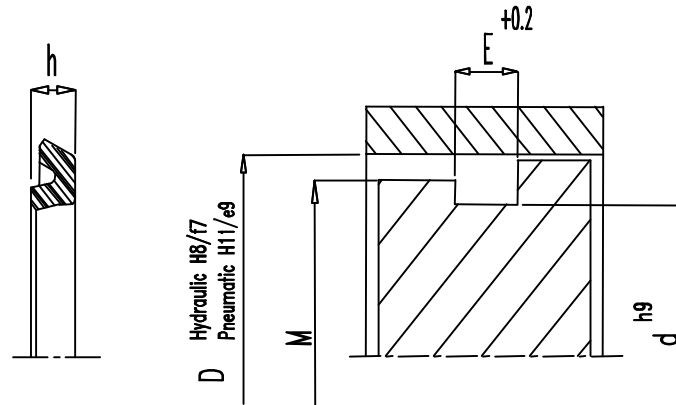
### MATERIAL

✍ NBR 90 Shore A      Polypac compound NBR 2790

### WORKING CONDITIONS

✍ Pressure:            10 MPa max  
✍ Temperature:      - 30°C +130°C  
✍ Speed:              0.5 m/s max  
✍ Fluid:                mineral oil based hydraulic fluids, air

# DDE



Reference	D	d	M	E	h
DDE 047	12,00	7,00	9,5	4,00	3,60
DDE 067	17,00	10,00	13,5	4,00	3,50
DDE 071	18,00	11,00	14,5	5,00	4,80
DDE 079	20,00	14,00	17,0	5,50	5,00
DDE 079/2	20,00	12,00	16,0	6,00	5,40
DDE 081	21,00	14,70	18,0	8,00	6,35
DDE 088	22,22	15,87	19,0	6,00	4,65
DDE 094	24,00	16,00	20,0	6,00	5,80
DDE 100	26,00	16,50	21,5	8,00	6,35
DDE 102	26,00	18,00	22,0	6,00	5,80
DDE 110	28,00	20,00	24,0	5,50	5,50
DDE 118	30,00	20,50	25,5	8,00	6,35
DDE 125	32,00	19,30	26,0	8,00	6,35
DDE 138	35,00	27,00	31,0	6,00	5,40
DDE 150	38,00	30,00	34,0	8,00	6,35
DDE 156	40,00	27,30	34,0	8,00	6,35
DDE 157	40,00	34,00	37,0	6,00	5,80
DDE 175	45,00	35,20	40,0	8,50	7,00
DDE 196	50,00	40,00	45,0	7,50	7,00
DDE 200	51,00	41,50	46,5	9,00	7,00
DDE 225	57,00	44,30	51,0	8,00	6,35
DDE 237	61,00	48,30	55,0	8,00	6,35
DDE 275	70,00	54,10	62,0	9,50	8,20
DDE 312	80,00	67,30	74,0	8,00	6,35
DDE 325	83,00	71,90	77,5	8,50	7,10
DDE 337	86,00	73,30	80,0	11,00	9,50
DDE 354	90,00	78,00	84,0	9,50	8,20
DDE 362	92,00	76,10	84,0	11,00	9,52
DDE 387	99,00	86,30	93,0	11,00	9,52
DDE 400	102,00	89,30	96,0	11,00	9,52
DDE 475	121,00	108,30	115,0	11,00	9,52
DDE 512	130,17	117,50	124,0	11,20	9,52